



Bronze Ball Valve - 04442 Series

PN40

Full bore



- Available with brass or 316 stainless steel ball & stem
- Female x Female
- Blow-out proof stem
- Adjustable packing

with brass ball & stem

Size	Article no.	Max Pressure BAR	Price £	Price €
1/2"	04442015	PN40	£22.80	€23.50
3/4"	04442020	PN40	£32.10	€33.10
1"	04442025	PN40	£46.20	€47.70
1 1/2"	04442040	PN40	£96.70	€99.70
2"	04442050	PN40	£149.10	€153.80

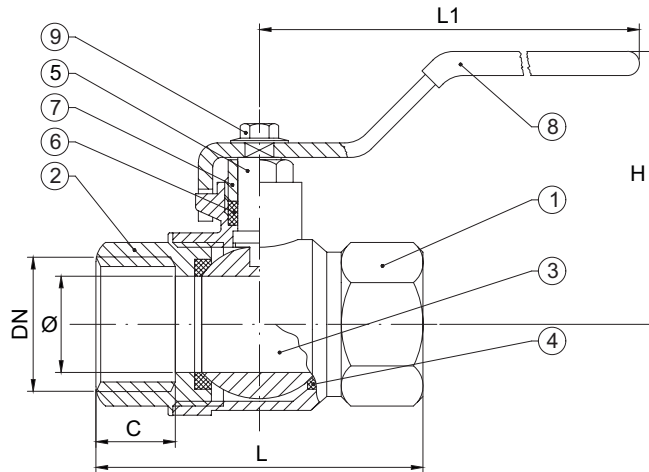
with 316 ss ball & stem

Article no.	Price £	Price €
04446015	£79.40	€81.90
04446020	£104.70	€108.00
04446025	£131.30	€135.40
04446040	£273.10	€281.60
04446050	£405.60	€418.20

Other sizes available on request

Materials

- | | | |
|---|------------|--|
| 1 | Body | Bronze-CC491K UNI EN1982 |
| 2 | Body end | Bronze-CC491K UNI EN1982 |
| 3 | Ball | Bronze-CW602N UNI EN12164 or 316 stainless steel |
| 4 | Ball seat | PTFE |
| 5 | Stem | Brass-CW602N UNI EN12164 or 316 stainless steel |
| 6 | Packing | PTFE |
| 7 | Pack gland | Brass-CW602N UNI EN12164 |
| 8 | Handle | Steel Fe 11 UNI EN10111 |
| 9 | Screw | Steel Fe 42 UNI EN10025 |



	1/4"	3/8"	1/2"	3/4"	1"	1 1/4"	1 1/2"	2"	2 1/2"	3"	4"
Ø(mm)	10	10	15	20	25	32	40	50	65	80	100
L (mm)	39	39	57	68	79	93	107	130	152	175	200
L1 (mm)	80	80	92	92	126	126	142	142	286	286	286
H (mm)	38	38	55	56	68	72	82	91	125	135	165
C (mm)	9	9	14	17	19	21	22	26	30	30	35
Weight (Kg)	0.110	0.120	0.255	0.380	0.580	0.920	1.650	2.300	4.150	5.800	9.100