

DZR Brass Ball Valve - 04354 Series

PN25

Full bore

- Female x Female
- Blow-out proof stem
- Adjustable packing

Article no.	Size	Max Pressure BAR	Price £	Price €
04354008	1/4"	PN25	£8.50	€8.80
04354015	1/2"	PN25	£10.70	€11.00
04354020	3/4"	PN25	£15.80	€16.30
04354025	1"	PN25	£23.80	€24.60

1 1/4" - 2" sizes available on request

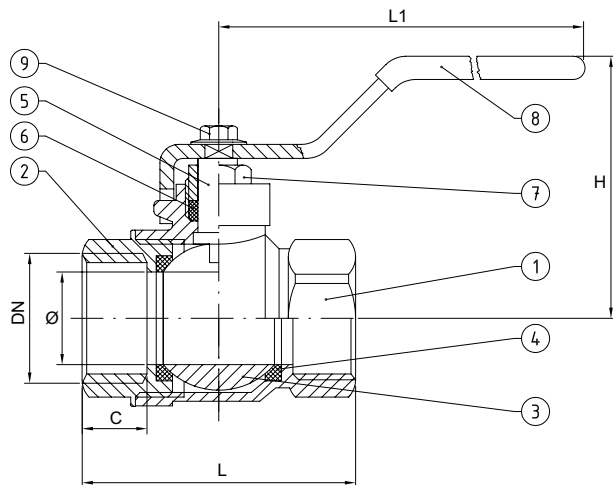
FE CONTI



BRASS & BRONZE BALL VALVES

Materials

1	Body	Dzr Brass-CW602N UNI EN12165
2	Body end	Dzr Brass-CW602N UNI EN12165
3	Ball	Dzr Brass-CW602N UNI EN12165
4	Ball seat	PTFE
5	Stem	Dzr Brass-CW602N UNI EN12164
6	Packing	PTFE
7	Pack gland	Brass-CW614N UNI EN12164
8	Handle	Steel Fe 11 UNI EN10111
9	Screw	Steel Fe 42 UNI EN10025



	1/4"	3/8"	1/2"	3/4"	1"	1 1/4"	1 1/2"	2"
Ø(mm)	10	10	15	20	25	32	40	50
L (mm)	39	39	55	62	71	83	95	114
L1 (mm)	80	80	93	91	128	128	140	140
H (mm)	39	39	53	58	65	70	82	92
C (mm)	9	9	13	14	16	17	18	21
Weight (Kg)	0.100	0.110	0.220	0.325	0,515	0.710	1.170	1.800