



CLA VISUAL LEVEL INDICATORS

Pressure

Max pressure allowed 100 kPa (1 bar).

Working Temperature

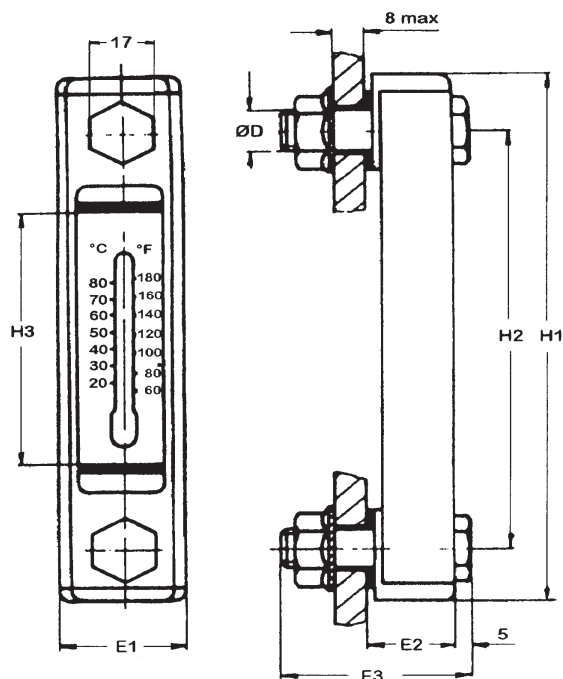
From -20° to +90° C

Materials

Visual level indicators, tank side mounting.

Transparent part:	Trogamid T
Anti-shock protection:	painted steel
Fixing bolts:	zinc plated steel
Seals:	Nitrile (Fluoroelastomer available on request).
Double scale thermometer	(Celsius and Farenheit) option available.
Tightening torque for the fixing bolts	10 Nm.

Article No.	Description	Price £	Price €
CLA11W	Level gauge BCD 76 mm	ON REQUEST	
CLA11T	Level gauge BCD 76 mm, with thermometer	ON REQUEST	
CLA12W	Level gauge BCD 127 mm	ON REQUEST	
CLA12T	Level gauge BCD 127 mm, with thermometer	ON REQUEST	
CLA13W	Level gauge BCD 254 mm	ON REQUEST	
CLA13T	Level gauge BCD 254 mm, with thermometer	ON REQUEST	



Dimensions (mm)

	H1	H2	H3	D	E1	E2	E3
CLA11W	108	76	32	M12	35	24	50
CLA11T	108	76	32	M12	35	24	50
CLA12W	160	127	78	M12	35	24	50
CLA12T	160	127	78	M12	35	24	50
CLA13W	286	254	202	M12	35	24	50
CLA13T	286	254	202	M12	35	24	50