



CBA AIR BREATHERS

Hand Mounting

Air breathers with threaded connection, zinc plated body and chrome plated cap.
Air filter element (not replaceable): cellulose 3µm polyurathan 10µm



Article No.	Description	Price £	Price €
CBA11B02CC	Breathing cap ø46, 1/4", 3µ	ON REQUEST	
CBA11B02PE	Breathing cap ø46, 1/4", 10µ	ON REQUEST	
CBA21B06CC	Breathing cap ø80, 3/4", 3µ	ON REQUEST	
CBA21B06PE	Breathing cap ø80, 3/4", 10µ	ON REQUEST	

Ordering Codes

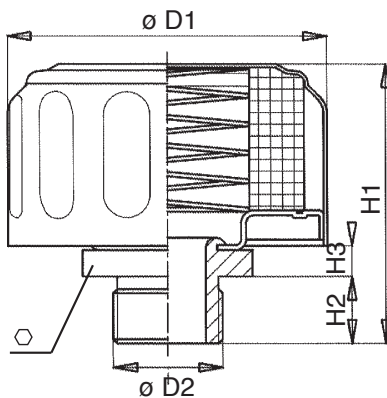
C	Type		
	C = Accessory product	C	C

B	A			Family, Nominal Size, Length		
					11	21

B	Connection type		
	B = BSP thread	B	B

		Connection Size		
		02 = 1/4"	02	-
		06 = 3/4"	-	06

		Filter Media		
		CC = cellulose	CC	CC
		PE = polyurathan foam	PE	PE



DIMENSIONS								
	Filtr. µm	Flow rate (l/min)	D1	D2	○	H1	H2	H3
CBA11B02CC	3	150	47	1/4" BSP	19	45	12	7
CBA11B02PE	10	300	47	1/4" BSP	19	45	12	7
CBA21B06CC	3	450	76	3/4" BSP	35	66	16	7
CBA21B06PE	10	750	76	3/4" BSP	35	66	16	7