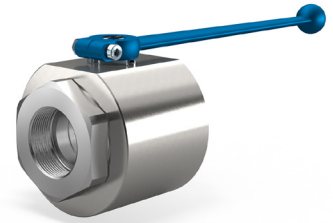


STAINLESS STEEL HIGH PRESSURE 2 WAY BALL VALVES MKH SERIES

420 BAR Rated

Threaded Female BSP Parallel/NPT

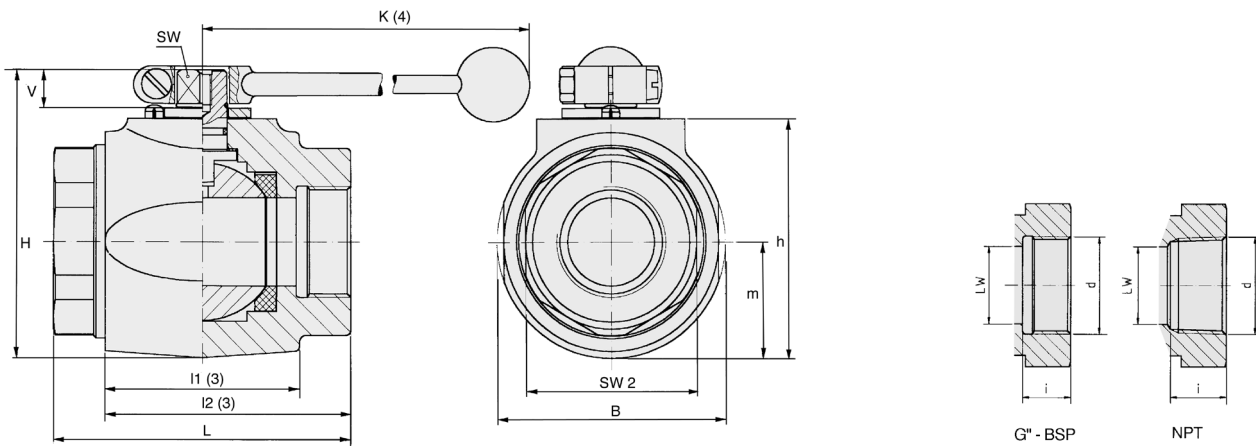


STAINLESS STEEL BALL VALVES

Size BSP	Max Pressure BAR	Article no. BSP	Price £	Price €	Article no. NPT	Price £	Price €
11/4"	420	9902007	ON REQUEST		9902017	ON REQUEST	
11/2"	420	9902008	ON REQUEST		9902018	ON REQUEST	
2"	420	9902009	ON REQUEST		9902019	ON REQUEST	

Materials

Body	316 Stainless Steel
Ball	316 Stainless Steel
Stem Seal	NITRIL (Others On Request)
Ball Seal	POM-MoS2 (Others On Request)
Temp. Range	-10 TO +100°C



NOTE: SUPPLIED WITH CRANKED HANDLES

Dimensions (mm)

SIZE	DN	LW	L	I	B	H	h±0.5	m	V	SW	K	i	SW	d	kg
Female Thread DIN/ISO 228 - bsp / ANSI B1.20.1 - NPT															
11/4"	32	32	111	95	81	107	86	40,5	16,5	17	320	22	60	11/4"	3,2
11/2"	40	38	130	107,5	100	124	103	50	16,5	17	320	24	75	11/2"	4,3
2"	50	48	140	120	118	138	117	59	16,5	17	320	26	85	2"	10