

HIGH PRESSURE 2 WAY BALL VALVES BKH/SS SERIES - FULL BORE

316 Stainless Steel

250 – 500 BAR Rated

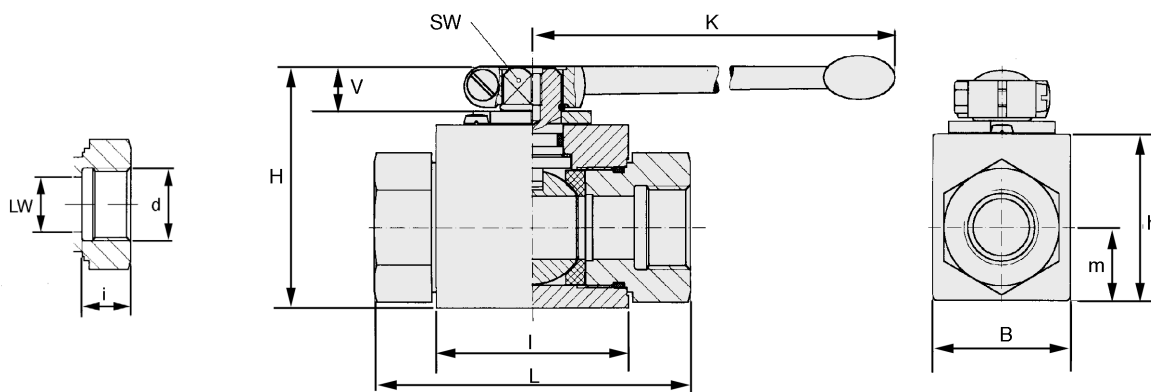
Threaded Female BSP Parallel/NPT

Also available on request - with
compression ends DIN2353 for
tube connection

Size BSP	Max Pressure BAR	Article no. BSP	Price £	Price €	Article no. NPT	Price £	Price €
1/8"	500	9901001	ON REQUEST				
1/4"	500	9901002	ON REQUEST		9901010	ON REQUEST	
3/8"	500	9901003	ON REQUEST		9901011	ON REQUEST	
1/2"	500	9901004	ON REQUEST		9901012	ON REQUEST	
3/4"	350	9901005	ON REQUEST		9901013	ON REQUEST	
3/4"	500	9901005H	ON REQUEST		9901013H	ON REQUEST	
1"	350	9901006	ON REQUEST		9901014	ON REQUEST	
1"	500	9901006H	ON REQUEST		9901014H	ON REQUEST	
1 1/4"	315	9901007	ON REQUEST		9901015	ON REQUEST	
1 1/2"	250	9901008	ON REQUEST		9901016	ON REQUEST	

Materials

Body	316 Stainless Steel
Stem	316 Stainless Steel (Polished)
Stem Seal	NITRIL (Others On Request)
Ball Seal	POM-MoS2 (Others On Request)
Temp. Range	-30 to +100°C



Dimensions (mm) - Female Thread

Size	LW	L BSP	L NPT	I	B	H	h±0.5	m	V	SW	K	i	d	kg
1/8"	5	69	69	40	26	47	33	13,5	11	9	115	10	G1/8	0,41
1/4"	6	69	69	40	26	47	33	13,5	11	9	115	14	G1/4	0,40
3/8"	10	72	78	43	32	52	38	17,5	11	9	115	14	G3/8	0,54
1/2"	13	83	104	48	35	54	40	19	11	9	115	16,3	G1/2	0,65
3/4"	20	95	107	62	49	75	57	24,5	14	14	200	18	G3/4	1,5
3/4" *	20	107	102	82	58	83	65	32.5	14	14	200	18	G3/4	2,60
1"	25	113	119	66	58	83	65	29,5	14	14	200	20	G1	2,1
1" *	25	131	131	84	70	88	70	34,5	14	14	200	20	G1	4,0
1 1/4"	25	120	130	66	58	83	65	29,5	14	14	200	22	G1 1/4	2,51
1 1/2"	25	129	129	66	58	83	65	29,5	14	14	200	22	G1 1/2	2,70

* 420 BAR Rated

SUPPLIED ON REQUEST WITH TEST AND MATERIAL CERTIFICATE TO DIN50049-3.1b