

Materials

Body	Forged Brass - Nickel Plated
Ball	Brass - Chromed
Stem Seal	VITON
Ball Seal	PTFE
Temp. Range	-20 to +120°C PN40 to 95°C PN16 to 120°C
Thread Ends	Gas UNI ISO 228

ISO TOP NICKEL PLATED BRASS 2 WAY BALL VALVE

25 – 40 BAR Rated

Article no.	Size	Max Pressure BAR	Break Away Torque NM	Price £	Price €
250002	1/4"	40	3	£18.70	€19.30
250003	3/8"	40	3	£20.50	€21.20
250004	1/2"	40	3	£18.70	€19.30
250005	3/4"	40	4	£23.50	€24.30
250006	1"	40	5	£38.20	€39.40
250007	1 1/4"	32	10	£49.60	€51.10
250008	1 1/2"	30	15	£65.20	€67.20
250010	2"	30	15	£100.30	€103.40
250012	2 1/2"	30	20	£248.90	€256.70
250014	3"	25	20	£356.60	€367.70

Dimensions

D BSP	1/4"	3/8"	1/2"	3/4"	1"	1 1/4"	1 1/2"	2"	2 1/2"	3"
d	11.5	15	15	20	25	32	38	47	64	78
A	38 x 38	38 x 38	38 x 38	38 x 38	50 x 50	50 x 50	50 x 50	50 x 50	70 x 70	70 x 70
B	29	29	29	32	36	41	57	64	90	100
C	65	65	65	75	86	95	101	120	165	188
ØG	6	6	6	6	7	7	7	7	8.5	8.5
E	17	17	17	19	21	22	22	25	34	37
F	36	36	36	36	50	50	50	50	70	70
h	6	6	6	7	11	10	12	11	15	15
Q	9 x 9	9 x 9	9 x 9	9 x 9	9 x 9	9 x 9	11 x 11	11 x 11	14 x 14	14 x 14
Drilling	F03	F03	F03	F03	F05	F05	F05	F05	F07	F07

ISO TOP NICKEL PLATED BRASS 3 WAY BALL VALVE

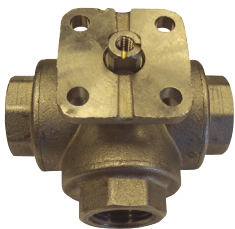
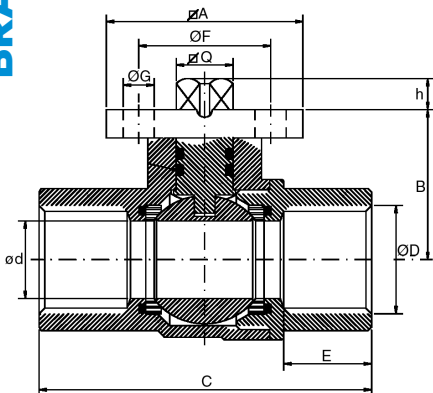
'L' & 'T' Bore 16 – 30 BAR Rated

Article no. L Bore	Article no. T Bore	Size	Max Pressure BAR	Break Away Torque NM	Price £	Price €
17402	17302	1/4"	30	3	£46.00	€47.40
17403	17303	3/8"	30	3	£46.00	€47.40
17404	17304	1/2"	30	4	£59.80	€61.60
17405	17305	3/4"	30	10	£84.50	€87.00
17406	17306	1"	20	13	£116.30	€119.90
17407	17307	1 1/4"	20	13	£168.50	€173.60
17408	17308	1 1/2"	16	20	£262.60	€270.60
17410	17310	2"	16	25	£418.90	€431.60

See [page 102](#) for Port Configurations

Dimensions

D	1/4"	3/8"	1/2"	3/4"	1"	1 1/4"	1 1/2"	2"
d	10	10	14	19	24	30	38	48
A	38 x 38	38 x 38	38 x 38	50 x 50	50 x 50	50 x 50	70 x 70	70 x 70
B	30	30	33	42	47	52	70	79.5
C	65	65	78	87	105	118	134	161
E	15	15	17	18	21	23.5	23.5	27.5
H	8	8	8	11	11	11	15	15
Q	9 x 9	9 x 9	9 x 9	11 x 11	11 x 11	11 x 11	14 x 14	14 x 14
Drilling	F03	F03	F03	F05	F05	F05	F07	F07



Materials

Body	Forged Brass - Nickel Plated
Ball	Brass - Chromed
Stem Seal	VITON
Ball Seal	PTFE
Temp. Range	-20 TO +120°C
Thread Ends	Gas UNI ISO 228

