

PATENTED



Lockable in both open and closed positions. The RUB locking device covers the stem nut making removal of the lever impossible without first removing the padlock.

LOCKABLE BRASS BALL VALVES

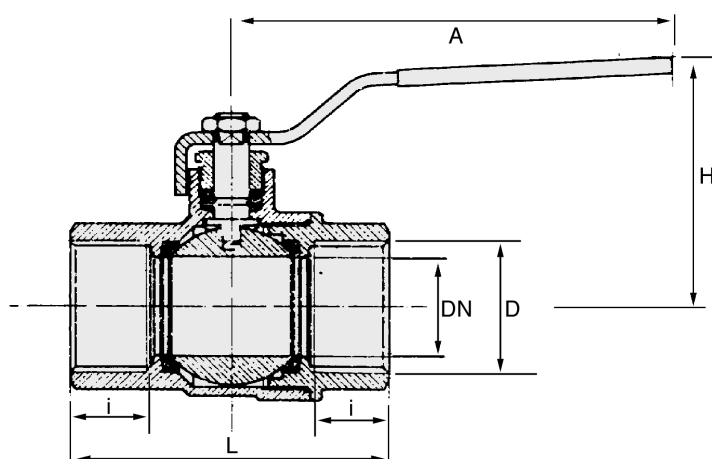
BSP Parallel Threaded – ISO 228

Temp -40°C to 170°C

40 Bar Rated 1/4" – 2"

Article no.	Size	Max Pressure BAR	Price £	Price €
946130	1/4"	40	£14.10	€14.50
946131	3/8"	40	£14.10	€14.50
946132	1/2"	40	£16.00	€16.50
946133	3/4"	40	£24.00	€24.70
946134	1"	40	£34.80	€35.90
946135	1 1/4"	40	£56.10	€57.80
946136	1 1/2"	40	£68.20	€70.30
946137	2"	40	£103.90	€107.00

Padlock	Price £	Price €
PAD	£12.80	€13.20



Dimensions

D BSP	DN	I	L	A	H
1/4"	8	12	45	82	39.5
3/8"	10	12	45	82	39.5
1/2"	15	15.5	59	100	43
3/4"	20	17	64	120	50
1"	25	21	81	120	54
1 1/4"	32	23	93	158	76.5
1 1/2"	40	23	102	158	82.5
2"	50	26.5	121	158	89.5