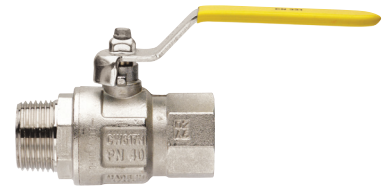


MALE X FEMALE - EN331 NICKEL PLATED BRASS FULL BORE BALL VALVES

Female = BSP Parallel Threaded Male = ISO 7/1 Rp Taper
25 – 50 BAR Rated

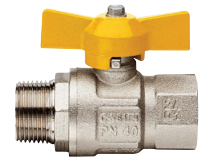
Article no. LEVER HANDLE	Size	Max Pressure BAR	Price £	Price €
067001	1/4"	50	£7.60	€7.80
067002	3/8"	50	£8.20	€8.40
067003	1/2"	50	£11.00	€11.40
067004	3/4"	40	£14.80	€15.30
067005	1"	40	£22.30	€23.00
067006	1 1/4"	30	£37.00	€38.20
067007	1 1/2"	30	£56.30	€58.10
067008	2"	25	£78.70	€81.20

Article no. T HANDLE	Price £	Price €
06901	£7.00	€7.30
06902	£7.70	€7.90
06903	£10.50	€10.80
06904	£14.20	€14.60
06905	£21.60	€22.30



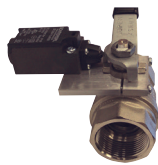
APPROVED BY

British Gas



itap
LONDON

BRASS & BRONZE BALL VALVES



Limit Switch

Article No.		Price £	Price €
suffix/LS	1 switch fitted	£95.60	€114.70
suffix/LS2	2 switches fitted	£131.60	€157.90
LS	switch loose	£41.20	€49.40
LSB	bracket only	£65.60	€78.70

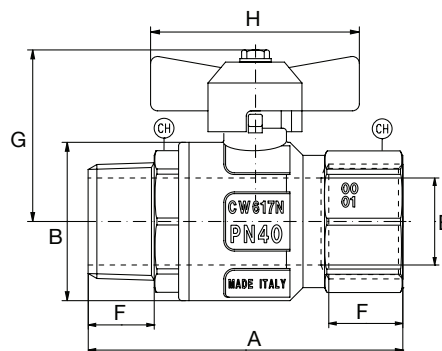
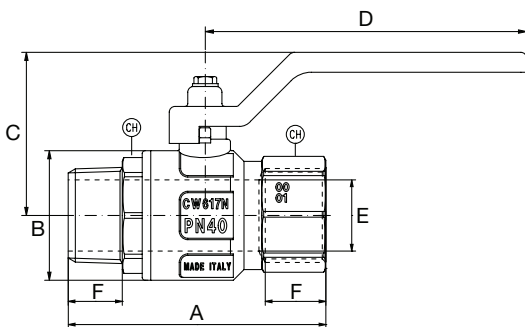


Locking Kit for Flat Lever Ball Valve

Article no.	Size	Price £	Price €
084LK01	1/4" - 3/8"	£1.90	€2.10
084LK02	1/2"	£2.10	€2.30
084LK03	3/4" - 1"	£2.40	€2.60
084PP03	Lock Pin	£1.70	€1.90
PAD3	Padlock to suit ITAP	£23.00	€23.70

Materials

Body	Forged Brass - Nickel Plated
Ball	Brass - Chromed
Stem Seal	VITON
Ball Seal	PTFE
Temp. Range	-20 to +60°C
Lever	Flat Steel With Yellow Plastic Sleeve
Te Handle	Aluminium



Dimensions – Male x Female

Size	1/4"	3/8"	1/2"	3/4"	1"	1 1/4"	1 1/2"	2"
DN	8	10	15	20	25	32	40	50
A (mm)	56.9	58.9	68	75.5	90.5	105	115.5	135.5
B (mm)	23.5	24	30.5	37	45.5	58	71	85
C (mm)	37	37	48.3	54.8	58.8	75	90	97
D (mm)	80	80	88.5	113	113	138	157.8	157.8
E (mm)	8	10	15	20	25	32	39	50
F (mm)	11	11.4	15	16.3	19.1	21.4	21.4	25.7
G (mm)	36.5	36.5	44.3	47.3	51.3			
H (mm)	47	47	54	62	62			
CH (mm)	18	21	25	31	38	47	54	66