

# NICKEL PLATED BRASS FULL BORE BALL VALVES BSP

**BSP Parallel Threaded – ISO 228**  
**14 – 50 BAR Rated**

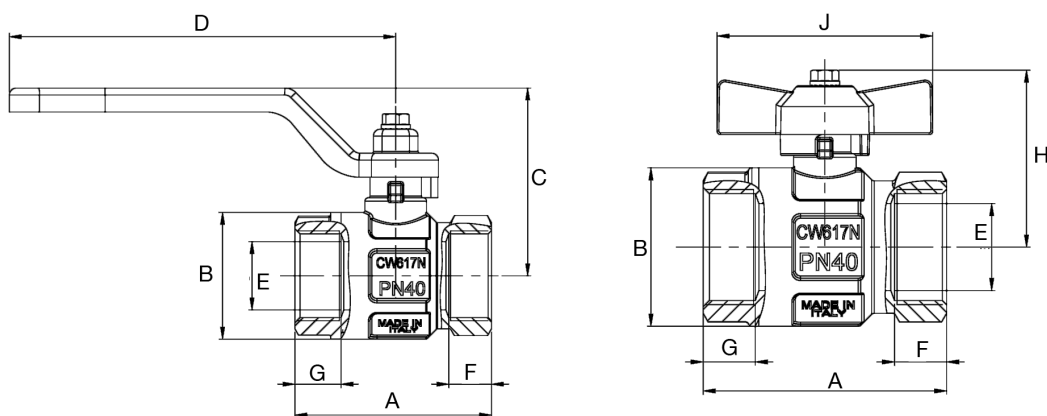
Article no.	Size	Max Pressure BAR	Price £	Price €	Article no.	Price £	Price €
<b>LEVER HANDLE</b>					<b>T HANDLE</b>		
090001	1/4"	50	£6.30	€6.50	09214	£6.20	€6.40
090002	3/8"	50	£6.50	€6.70	09238	£6.30	€6.50
090003	1/2"	50	£8.00	€8.30	09212	£7.90	€8.20
090004	3/4"	40	£11.80	€12.20	09234	£11.40	€11.70
090005	1"	40	£18.00	€18.50	09210	£17.70	€18.30
090006	1 1/4"	30	£28.20	€29.10	09211	£28.70	€29.60
090007	1 1/2"	30	£42.40	€43.70			
090008	2"	25	£65.40	€67.40			
090009	2 1/2"	18	£153.10	€157.80			
090010	3"	16	£238.40	€245.80			
090011	4"	14	£393.90	€406.20			

### Limit Switch

Article No.		Price £	Price €
suffix/LS	1 switch fitted	£95.60	€114.70
suffix/LS2	2 switches fitted	£131.60	€157.90
LS	switch loose	£41.20	€49.40
LSB	bracket only	£65.60	€78.70

### Materials

Body	Forged Brass - Nickel Plated
Ball	Brass - Chromed
Stem Seal	VITON
Ball Seal	PTFE
Temp. Range	-15 TO +150°C
Lever	Steel (Zinc Plated And Painted)
Tee Handle	Aluminium



### Dimensions (mm)

size	1/4"	3/8"	1/2"	3/4"	1"	1 1/4"	1 1/2"	2"	2 1/2"	3"	4"
DN	8	10	15	20	25	32	40	50	65	80	100
A	44.4	44.4	50.5	57.5	70	80.5	94.5	112.5	134.5	157	190
B	23.5	24	30.5	37	45.5	57	70	84	109	131	164
C	37	37	41	55	59	74.5	80.5	96.5	116	133	148
D	80	80	80	113	113	138	138	157.8	197	250	250
E	10	10	15	20	25	32	40	50	65	80	100
F	10	10	12	12.5	15	17	18.5	22	24	26	30
G	10	10	12.5	13.5	15	16.5	17.5	20,5	24	26	30
H	36.5	36.5	41.5	48	52	65					
J	47	47	47	62	62	70					