

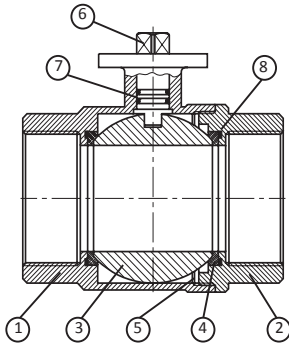


BRASS BALL VALVE WITH PNEUMATIC ACTUATOR DOUBLE ACTING

40 - 25 BAR Rated

Double Acting

| Article no. | Size | Pressure BAR | Price £ | Price € |
|-------------|--------|--------------|---------|---------|
| 70004502 | 1/4" | 40 | £112.70 | €116.20 |
| 70004503 | 3/8" | 40 | £114.30 | €117.90 |
| 70004504 | 1/2" | 40 | £112.70 | €116.20 |
| 70004505 | 3/4" | 40 | £134.20 | €138.40 |
| 70004506 | 1" | 40 | £147.30 | €151.90 |
| 70004507 | 1 1/4" | 32 | £157.40 | €162.40 |
| 70004508 | 1 1/2" | 30 | £193.80 | €199.80 |
| 70004510 | 2" | 30 | £225.10 | €232.10 |
| 70004512 | 2 1/2" | 30 | £389.80 | €402.00 |
| 70004514 | 3" | 25 | £486.00 | €501.10 |



Materials

- | | | |
|---|-----------|---------------------|
| 1 | Body | Hot pressed brass |
| 2 | End cap | Hot pressed brass |
| 3 | Ball | Brass chrome plated |
| 4 | Seat ring | P.T.F.E. |
| 5 | Body seal | P.T.F.E. |
| 6 | Stem | Brass |
| 7 | Stem ring | Viton |
| 8 | O-ring | NBR 70 |

Additional cost for actuators supplied fitted with:



Limit Switch Box [page 28](#)

| Article no. | | Price £ | Price € |
|-------------|------------------------|---------|---------|
| SWBOX | IP67 Standard | £68.40 | €82.10 |
| SWBOXP | Proximity Switches | £265.60 | €318.70 |
| SWBOXIS | Intrinsically Safe Box | £265.60 | €318.70 |
| SWBOXEX | Explosion Proof | £288.00 | €345.60 |

Namur Pilot Solenoid Valve [page 29](#)



| Article no. | | Price £ | Price € |
|-------------|---|---------|---------|
| 55100229* | Suffix * with A - 220V AC B - 110V AC D - 24V DC | £105.20 | €131.50 |

Intrinsically Safe & Explosion Proof also available

PD100 Smart Valve Positioner [page 30](#)



| Article no. | Price £ | Price € |
|-------------|-----------|-----------|
| 420100 | £1,942.90 | €2,236.70 |

- 4-20mA input signal & Auto calibration
- Local user interface & LCD display
- Optional features available

IP67 Inductive Proximity Switch [page 31](#)

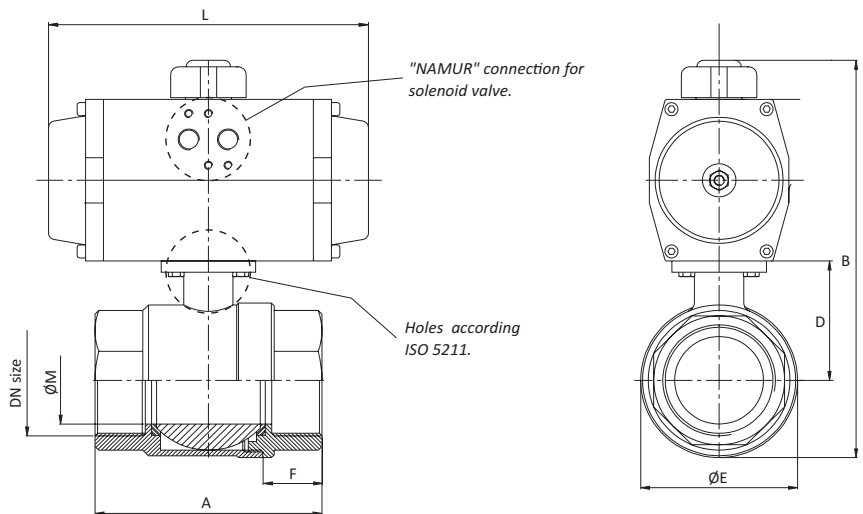


| Article no. | Price £ | Price € |
|-------------|---------|---------|
| IPSFIT | £283.50 | €340.10 |

- inductive sensor included (555602)
- target puck included (555422)

Optional 2mtr cable with M12 connector

| | | |
|--------|--------|--------|
| ECV001 | £17.70 | €21.20 |
|--------|--------|--------|



Overall Dimensions - Double Acting

| Dia mm | Size ins. | Model | A | B | D | ØE | F | L | ØM | WEIGHT Kg. |
|--------|-----------|----------|-----|-------|------|-----|----|-----|------|------------|
| 8 | 1/4" | AP0 - DA | 65 | 115 | 29 | 32 | 17 | 110 | 11.5 | 0.82 |
| 10 | 3/8" | AP0 - DA | 65 | 115 | 29 | 32 | 17 | 110 | 15 | 0.82 |
| 15 | 1/2" | AP0 - DA | 65 | 137 | 29 | 32 | 17 | 110 | 15 | 1.12 |
| 20 | 3/4" | AP1 - DA | 75 | 144 | 32 | 40 | 19 | 137 | 20 | 1.24 |
| 25 | 1" | AP1 - DA | 86 | 151.5 | 36 | 47 | 21 | 137 | 25 | 1.62 |
| 32 | 1 1/4" | AP1 - DA | 95 | 161.5 | 41 | 57 | 22 | 137 | 32 | 1.91 |
| 40 | 1 1/2" | AP2 - DA | 101 | 199.5 | 57 | 69 | 22 | 150 | 38 | 2.79 |
| 50 | 2" | AP2 - DA | 120 | 213 | 64 | 82 | 25 | 150 | 47 | 3.62 |
| 65 | 2 1/2" | AP3 - DA | 157 | 266.5 | 85 | 113 | 30 | 204 | 65 | 7.02 |
| 80 | 3" | AP3 - DA | 188 | 297 | 94.5 | 135 | 33 | 204 | 80 | 10.39 |