

3 WAY WAFER PATTERN BALL VALVE

L Bore Flanged BS4504 - PN16

Carbon Steel

Size	Article no. L Bore	Price £	Price €
1/2"	77600004	£444.60	€458.50
3/4"	77600005	£465.20	€479.80
1"	77600006	£481.40	€496.40
1 1/4"	77600007	£584.70	€603.00
1 1/2"	77600008	£679.00	€700.20
2"	77600010	£822.70	€848.40
2 1/2"	77600012	£1,218.80	€1,256.80
3"	77600014	£1,636.40	€1,687.50
4"	77600018	£2,280.30	€2,351.60
5"	77600019	£4,604.70	€4,748.60
6"	77600020	£6,934.40	€7,151.20

Stainless Steel

Article no. L Bore	Price £	Price €
77600704	£732.40	€755.30
77600705	£818.80	€844.40
77600706	£847.90	€874.40
77600707	£1,173.70	€1,210.40
77600708	£1,350.20	€1,392.40
77600710	£1,494.80	€1,541.50
77600712	£3,044.10	€3,139.20
77600714	£3,951.10	€4,074.60
77600718	£5,652.50	€5,829.10



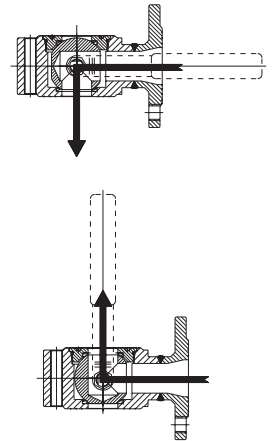
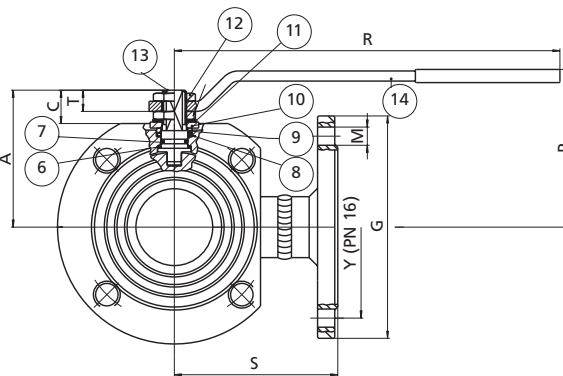
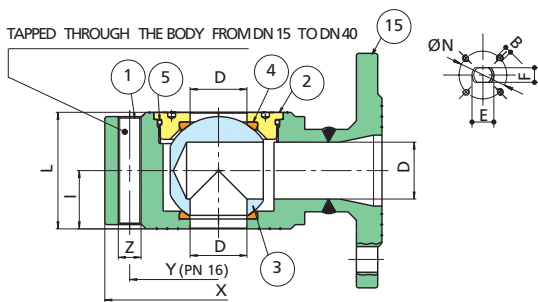
FLANGED BALL VALVES

Materials

- | | | |
|---|----------------|--|
| 1 | Body | ASTM A105 Carbon / 316 Stainless Steel |
| 2 | End Connection | ASTM A105 Carbon / 316 Stainless Steel |
| 3 | Ball | AISI 304 Carbon / 316 Stainless Steel |
| 4 | Ball Seat | PTFE (Teflon®) |
| 5 | Ring | FKM (Viton®) |
| 6 | Thrust Washer | PTFE (Teflon®) |
| 7 | Ring | FKM (Viton®) |
| 8 | Stem Seat | PTFE (Teflon®) |

Limit Switch

Article no.		Price £	Price €
suffix LS	1 switch fitted	£95.60	€114.70
suffix LS2	2 switches fitted	£131.60	€157.90
LS	loose switch	£47.70	€57.20
LSB	BRACKET ONLY	£65.60	€78.70
SWBOX	Limit Switch Enclosed Box	£68.40	€82.10



Dimensions (mm)

Size	DN	X	Y	Z	I	L	R	P	A	C	T	G	M	D	S	E	F	N	B	PN	Kg
1/2"	15	89	65	4xM12	20	40	131.5	64.5	47	15.5	9	95	4xØ14	10	76	10	7	32	4xM5	16	2.23
3/4"	20	99	75	4xM12	20	40	131.5	67	49.5	13.5	9	105	4xØ14	15	82	10	7	32	4xM5	16	2.86
1"	25	109	85	4xM12	23	46	174.5	79	59	18	12.5	115	4xØ14	20	86	12	8	42	4xM5	16	3.89
1 1/4"	32	130	100	4xM16	29	58	174.5	84	64	15.5	11.5	140	4xØ18	25	100	12	8	42	4xM5	16	6.21
1 1/2"	40	140	110	4xM16	35.5	71	250.5	102.5	78	24.5	13	150	4xØ18	32	105	16	10	50	4xM6	16	8.50
2"	50	160	125	4xM16	41	82	250.5	109	85	25	13.5	165	4xØ18	40	115	16	10	50	4xM6	16	12.27
2 1/2"	65	180	145	4xM16	53	106	321.5	128	104.5	28	18	185	4xØ18	50.2	125	20	14	70	4xM8	16	19.10
3"	80	200	160	8xM16	61	122	321.5	136.5	113	28	18	200	8xØ18	64	150	20	14	70	4xM8	16	24.34
4"	100	220	180	8xM16	76	152	381.5	155.5	136	34.5	22	220	8xØ18	76	159	24	18	102	4xM10	16	38.45