

# CAST IRON FLANGED BALL VALVE SERIES B2

**PN16**

**Options - prices on request**

- With AISI 304 S/S ball and stem
- With AISI 316 S/S ball and AISI 304 S/S stem
- EPOXY painted body
- ANSI Class 150 drilled flanges
- With VITON seals

**Temperature**

NITRIL -10 to 90°C  
VITON -10 to 140°C

Article no.	Size	Pressure BAR	Price £	Price €
B200040	1 1/2"	16	£200.00	€206.30
B200050	2"	16	£214.40	€221.10
B200065	2 1/2"	16	£270.40	€278.90
B200080	3"	16	£344.00	€354.80
B2000100	4"	16	£448.00	€462.00
B2000125	5"	16	£792.00	€816.80
B2000150	6"	16	£1,072.00	€1,105.50
B2000200	8"	16	£3,272.00	€3,374.30
B2000250	10"	10	£9,360.00	€9,652.50

STANDARD = Brass Ball & Stem with Nitril seals



**DVGW APPROVED  
GAS VERSION  
available on request**

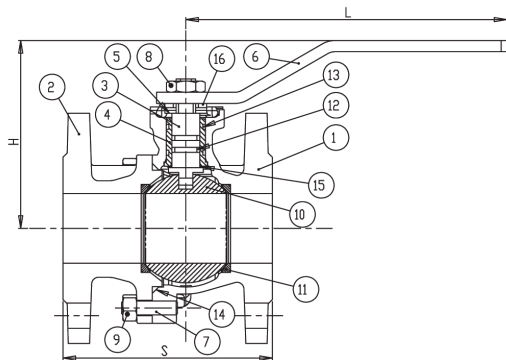
**Limit Switch**

Article no.		Price £	Price €
suffix LS	1 switch fitted	£95.60	€114.70
suffix LS2	2 switches fitted	£131.60	€157.90
LS	loose switch	£47.70	€57.20
LSB	BRACKET ONLY	£65.60	€78.70
SWBOX	Limit Switch Enclosed Box	£68.40	€82.10

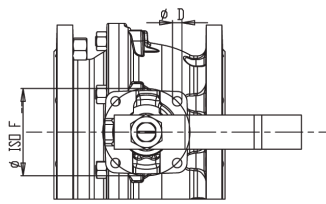
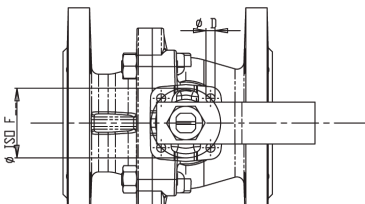
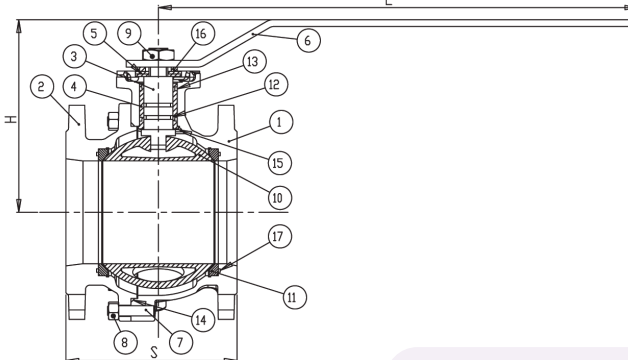


**Dimensions (mm)**

DN 40 ÷ 100



DN 125 ÷ 150



DN	40	50	65	80	100	125	150
S	140	150	170	180	190	200	210
H	125	135	143	165	180	225	243
L	230	230	230	280	360	450	560
ISO F	05	05	05	07	07	10	10
D	7	7	7	9	9	11	11
TORQUE (Nm)	18	20	40	70	100	180	250

**Materials**

1	Body	GJS 400-15
2	Flange	GJS 400-15
3	Stem	Brass
4	Brushing	Brass
5	Plate	Fe 360 Zn
6	Handle	Fe 360 Zn
7	Screw	C40Zn
8	Nut	C40Zn
9	Nut	C40Zn
10	Ball	Brass G/CuZn40Pb2
11	Ball seat	PTFE+C
12	O-Ring	NBR
13	O-Ring	NBR
14	O-Ring	NBR
15	Ring	PTFE
16	Ring	C40Zn
17	O-ring	NBR