

S301E SERIES ELECTRICALLY ACTUATED BUTTERFLY VALVE

10 - 16 BAR Rated

Size	Actuator	
1/2"	HQ005	
2"	HQ005	
2 1/2"	HQ005	
3"	HQ005	
4"	HQ005	
5"	HQ015	
6"	HQ015	
8"	HQ015	
10"	HQ030	
12"	HQ050	
1/2"	HQ005	24v DC
2"	HQ005	24v DC
2 1/2"	HQ005	24v DC
3"	HQ005	24v DC
4"	HQ005	24v DC
5"	HQ015	24v DC
6"	HQ015	24v DC
8"	HQ015	24v DC
10"	HQ030	24v DC
12"	HQ050	24v DC

* Suffix with:
A = 220v AC
B = 110v AC

WAFFER PATTERN

Article no.	Price £	Price €
SIRWE040*	£482.60	€579.10
SIRWE050*	£486.80	€584.10
SIRWE065*	£505.20	€606.30
SIRWE080*	£530.90	€637.10
SIRWE100*	£573.20	€687.90
SIRWE125*	£1,471.80	€1,766.10
SIRWE150*	£1,507.70	€1,809.20
SIRWE200*	£1,734.70	€2,081.60
SIRWE250*	OR	OR
SIRWE300*	OR	OR
SIRWE040D	£505.00	€606.00
SIRWE050D	£509.20	€611.00
SIRWE065D	£527.60	€633.10
SIRWE080D	£553.30	€664.00
SIRWE100D	£595.60	€714.80
SIRWE125D	£1,526.20	€1,831.40
SIRWE150D	£1,526.10	€1,874.50
SIRWE200D	£1,789.10	€2,146.90
SIRWE250D	OR	OR
SIRWE300D	OR	OR

LUGGED for flanges BS4504 - PN16

Article no.	Price £	Price €
SIRLE040*	£494.70	€593.60
SIRLE050*	£499.50	€599.40
SIRLE065*	£517.50	€621.00
SIRLE080*	£541.90	€650.30
SIRLE100*	£597.80	€717.30
SIRLE125*	£1,499.50	€1,799.30
SIRLE150*	£1,549.10	€1,858.90
SIRLE200*	£1,788.60	€2,146.30
SIRLE250*	OR	OR
SIRLE300*	OR	OR
SIRLE040D	£517.10	€620.50
SIRLE050D	£521.90	€626.30
SIRLE065D	£539.90	€647.90
SIRLE080D	£564.30	€677.10
SIRLE100D	£620.20	€744.20
SIRLE125D	£1,553.90	€1,864.60
SIRLE150D	£1,603.50	€1,924.10
SIRLE200D	£1,843.00	€2,211.60
SIRLE250D	OR	OR
SIRLE300D	OR	OR



Wafer pattern

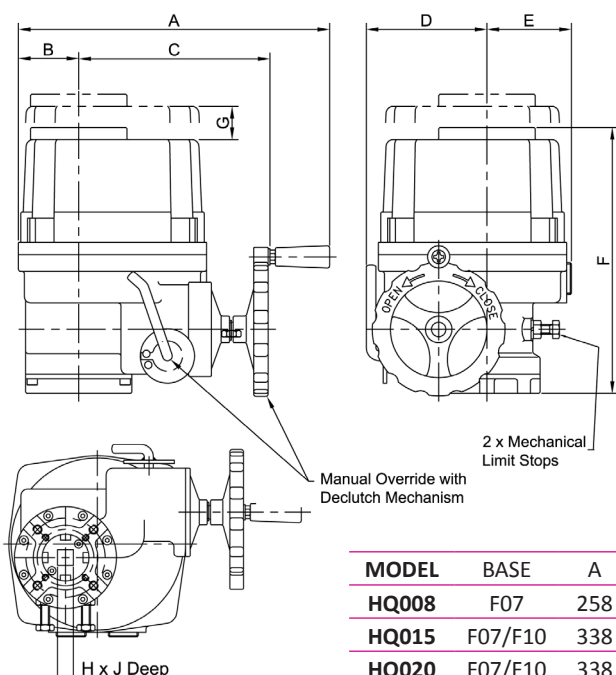


Lugged

ELECTRIC ACTUATED VALVES

HQ005 Actuator dimensions- see [page 36](#)

Dimensions (mm) - HQ008 - HQ050 Actuator



Materials - Wafer

Body Cast Iron GG25 Polyurethane Coated
Disc/shaft 316 Stainless Steel
Liner EPDM (Nitril - On Request)
Temp. Range +70°C
Flange Compatibility BS4504 PN10/16 ANSI Class 150

Materials - Lugged

Body Cast Iron GG25 Polyurethane Coated
Disc/shaft 316 Stainless Steel
Liner EPDM (Nitril - On Request)
Temp. Range +70°C
Flange Compatibility BS4504 PN10/16

MODEL	BASE	A	B	C	D	E	F	G	H*	J
HQ008	F07	258	50	157	100	70	235	120	14	35
HQ015	F07/F10	338	73	200	142	87	268	160	17	45
HQ020	F07/F10	338	73	200	142	87	268	160	17	45
HQ050	F10/F12	368	82	221	160	99	290	180	22	52

* CAN BE MACHINED TO SUIT MOST VALVE STEMS (ON REQUEST)