



# ELECTRICALLY ACTUATED 3 PIECE STAINLESS STEEL BALL VALVE

1,000 PSI Rated - 1/4" to 2"    800 PSI Rated - 2 1/2" to 4"

## Materials

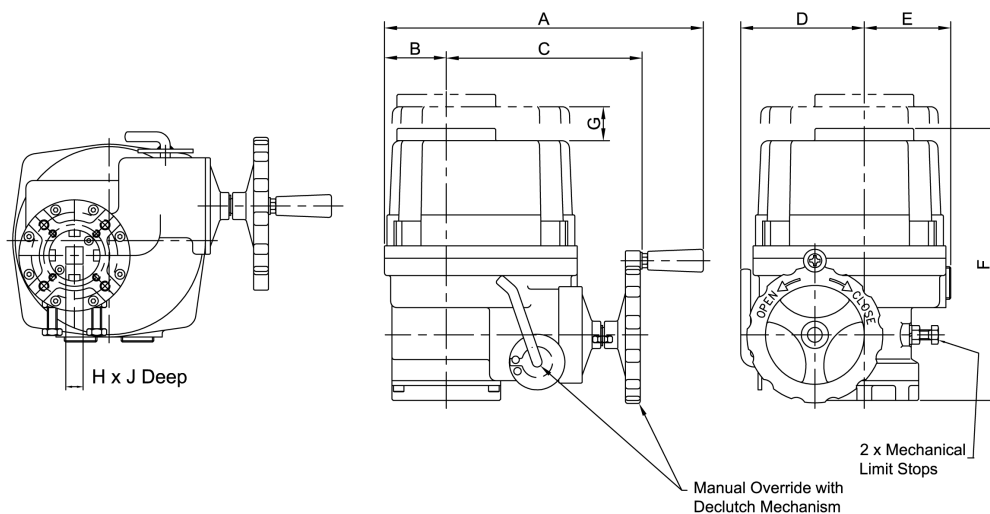
Body	CF8M - 316 S/S
Ball	316 S/S
Stem Seal	RTFE
Ball Seal	RTFE
Temp. Range	+70°C*

Article no.		Size	Actuator Size	Valve bore (mm)	Price £	Price €
399021*		1/4"	HQ005	8	£491.80	€590.20
399022*		3/8"	HQ005	10	£491.80	€590.20
399023*		1/2"	HQ005	15	£491.80	€590.20
399024*		3/4"	HQ005	20	£500.00	€600.00
399025*	* Suffix with: A = 220v AC B = 110v AC	1"	HQ005	25	£551.00	€661.20
399026*	Others on request	1 1/4"	HQ005	32	£594.30	€713.20
399027*		1 1/2"	HQ005	40	£698.80	€838.60
399028*		2"	HQ005	50	£788.00	€945.60
399029*		2 1/2"	HQ006	65	£1,405.60	€1,686.70
399030*		3"	HQ008	80	£1,942.40	€2,330.90
399031*		4"	HQ015	100	£2,749.10	€3,298.90
399021D	24v DC	1/4"	HQ005	8	£491.80	€590.20
399022D	24v DC	3/8"	HQ005	10	£491.80	€590.20
399023D	24v DC	1/2"	HQ005	15	£491.80	€590.20
399024D	24v DC	3/4"	HQ005	20	£500.00	€600.00
399025D	24v DC	1"	HQ005	25	£551.00	€661.20
399026D	24v DC	1 1/4"	HQ005	32	£594.30	€713.20
399027D	24v DC	1 1/2"	HQ005	40	£698.80	€838.60
399028D	24v DC	2"	HQ005	50	£788.00	€945.60
399029D	24v DC	2 1/2"	HQ006	65	£1,405.60	€1,686.70
399030D	24v DC	3"	HQ008	80	£1,942.40	€2,330.90
399031D	24v DC	4"	HQ015	100	£2,749.10	€3,298.90

HQ005 Actuator dimensions- see [page 36](#)

HQ006 Actuator dimensions- see [page 37](#)

## Dimensions (mm) - HQ008 / HQ015 Actuator



MODEL	BASE	A	B	C	D	E	F	G	H*	J
HQ008	F07	258	50	157	100	70	235	120	14	35
HQ015	F07/F10	338	73	200	142	87	268	160	17	45

\* CAN BE MACHINED TO SUIT MOST VALVE STEMS (ON REQUEST)