

# ELECTRICALLY ACTUATED STAINLESS STEEL BALL VALVE

1,000 PSI Rated



ELECTRIC ACTUATED VALVES

Article no.		Size	Actuator Size	Price £	Price €
399001*		1/4"	HQ005	£470.80	€565.00
399002*		3/8"	HQ005	£470.80	€565.00
399003*		1/2"	HQ005	£470.80	€565.00
399004*	* Suffix with: A = 220v AC B = 110v AC	3/4"	HQ005	£473.80	€568.60
399005*		1"	HQ005	£511.90	€614.30
399006*	Others on request	1 1/4"	HQ005	£536.40	€643.70
399007*		1 1/2"	HQ005	£621.10	€745.30
399008*		2"	HQ005	£688.30	€825.90
399009*		2 1/2"	HQ006	£1,119.10	€1,343.00
399010*		3"	HQ008	£1,668.70	€2,002.40
399001D	24v DC	1/4"	HQ005	£470.80	€565.00
399002D	24v DC	3/8"	HQ005	£470.80	€565.00
399003D	24v DC	1/2"	HQ005	£470.80	€565.00
399004D	24v DC	3/4"	HQ005	£473.80	€568.60
399005D	24v DC	1"	HQ005	£511.90	€614.30
399006D	24v DC	1 1/4"	HQ005	£536.40	€643.70
399007D	24v DC	1 1/2"	HQ005	£621.10	€745.30
399008D	24v DC	2"	HQ005	£688.30	€825.90
399009D	24v DC	2 1/2"	HQ006	£1,119.10	€1,343.00
399010D	24v DC	3"	HQ008	£1,668.70	€2,002.40

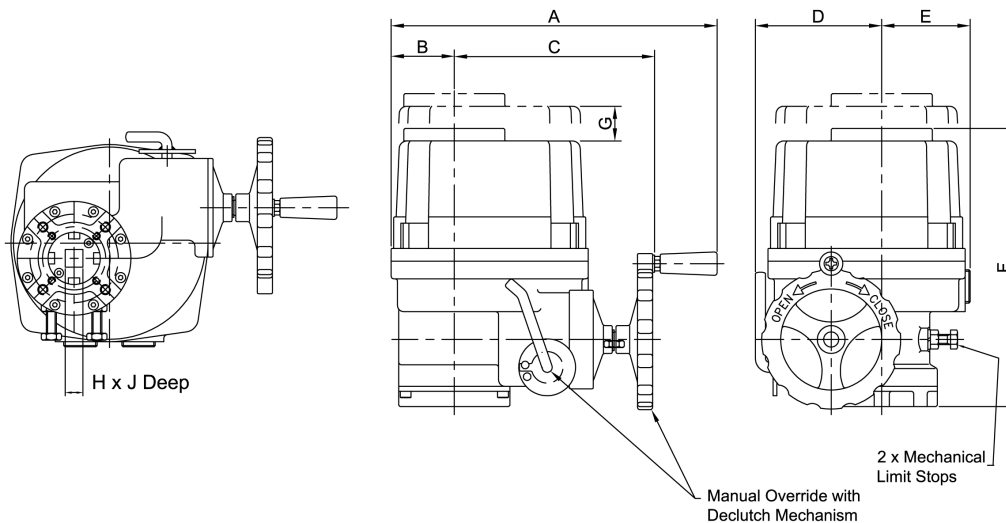
## Materials

Body	CF8M - 316 S/S
Ball	316 S/S
Stem Seal	PTFE
Ball Seal	PTFE
Temp. Range	+70°C*

HQ005 Actuator dimensions- see [page 36](#)

HQ006 Actuator dimensions- see [page 37](#)

## Dimensions (mm) - HQ008 Actuator



Model	Base	A	B	C	D	E	F	G	H*	J
HQ008	F07	258	50	157	100	70	235	120	14	35

\* CAN BE MACHINED TO SUIT MOST VALVE STEMS (ON REQUEST)