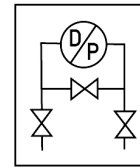
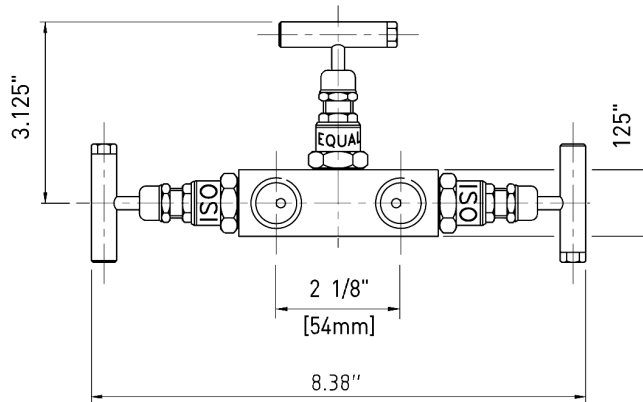


Y33 TYPE THREE VALVE MANIFOLD

Remote mounting pipe to pipe.

- Weight 1.5kg
- Width. 1.25"



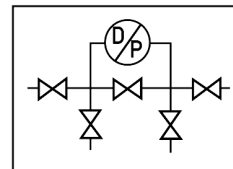
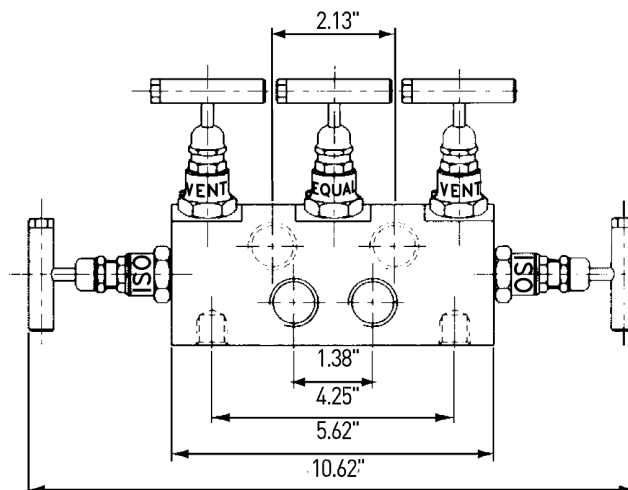
olivervalves

INSTRUMENTATION

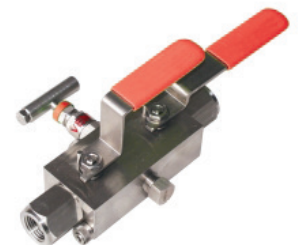
Y54 TYPE FIVE VALVE MANIFOLD

Remote mounting pipe to pipe.

- Weight 2.3kg



olivervalves



We can also offer double block and bleed valves and manifolds