

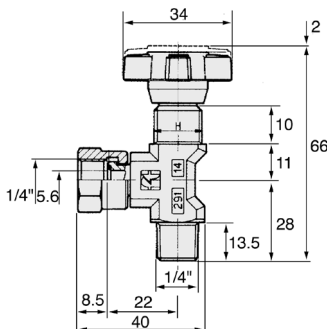


GAUGE ISOLATOR VALVES



Features

- Swivel Gauge Thread 1/4" BSP Parallel with Nitril 'O' Ring Seal
- Male System Thread BSP Taper



Type FT 291-14 Angled Gauge Isolator Needle Valve with Male Taper Thread

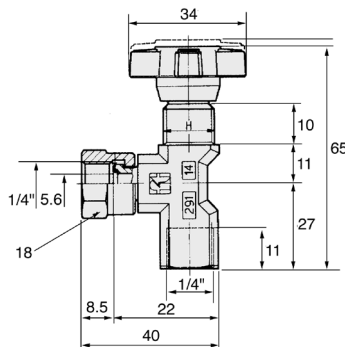
Maximum Pressure 400 BAR/6000 PSI
Carbon Steel

Article no.	Size	Price £	Price €
206005	1/4"	£21.20	€21.90
Panel Mounting Nut			
207014		£3.10	€3.20



Features

- Swivel Gauge Thread 1/4" BSP Parallel with Nitril 'O' Ring Seal
- Female System Thread BSP Taper



Type FT 291-01 Angled Gauge Isolator Needle Valve with Female Parallel Thread

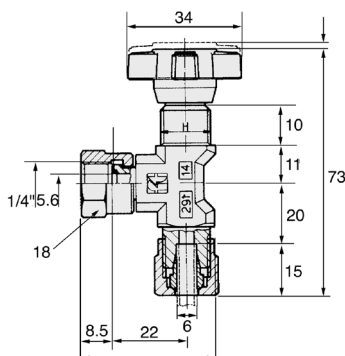
Maximum Pressure 400 BAR/6000 PSI
Carbon Steel

Article no.	Size	Price £	Price €
206006	1/4"	£33.10	€34.10
Panel Mounting Nut			
207014		£3.10	€3.20



Features

- Swivel Gauge Thread 1/4" BSP Parallel with Nitril 'O' Ring Seal
- DIN 2353 Compression System Connection Suit 6S Tube



Type FT 291-04 Angled Gauge Isolator Needle Valve with 6mm Compression Connection

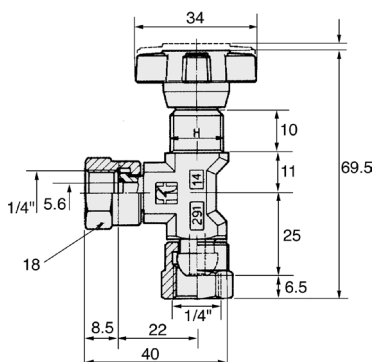
Maximum Pressure 400 BAR/6000 PSI
Carbon Steel

Article no.	Size	Price £	Price €
206007	1/4"	£44.10	€45.50
Panel Mounting Nut			
207014		£3.10	€3.20



Features

- Swivel Gauge Thread 1/4" BSP Parallel with Nitril 'O' Ring Seal
- Swivel BSP Female System Connection (with 60° Cone)



Type FT 291-05 Angled Gauge Isolator Needle Valve with Swivel Female Connection

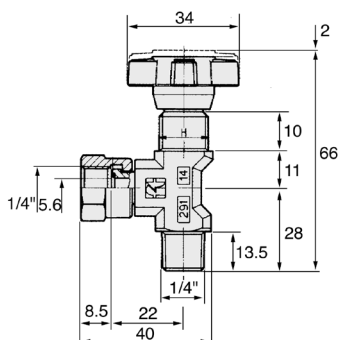
Maximum Pressure 400 BAR/6000 PSI
Carbon Steel

Article no.	Size	Price £	Price €
206008	1/4"	£43.20	€44.60
Panel Mounting Nut			
207014		£3.10	€3.20



Features

- Swivel Gauge Thread 1/4" BSP Parallel with Nitril 'O' Ring Seal
- Male System Thread BSP Taper



Type FT 2291-14 Angled Gauge Isolator Needle Valve

Maximum Pressure 400 BAR/6000 PSI
Stainless Steel (316)

Article no.	Size	Price £	Price €
94087	1/4"	£157.70	€162.70
Panel Mounting Nut			
207014		£3.10	€3.20

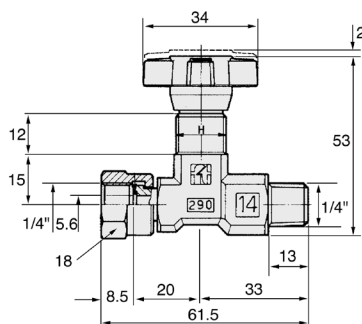
GAUGE ISOLATOR VALVES



Type FT 290-14 Inline Gauge Isolator Needle Valve with Male Taper Thread

Maximum Pressure 400 BAR/6000 PSI
Carbon Steel

Article no.	Size	Price £	Price €
206001	1/4"	£21.20	€21.90
306012	1/2"	£76.30	€78.70
Panel Mounting Nut			
207014		£3.10	€3.20



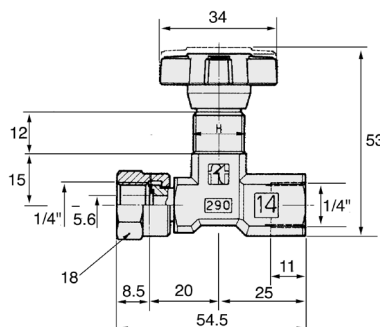
Features

- Swivel Gauge Thread 1/4" BSP Parallel with Nitril 'O' Ring Seal
- Male System Thread BSP Taper

Type FT 290-01 Inline Gauge Isolator Needle Valve with Female Parallel Thread

Maximum Pressure 400 BAR/6000 PSI
Carbon Steel

Article no.	Size	Price £	Price €
206002	1/4"	£33.10	€34.10
Panel Mounting Nut			
207014		£3.10	€3.20



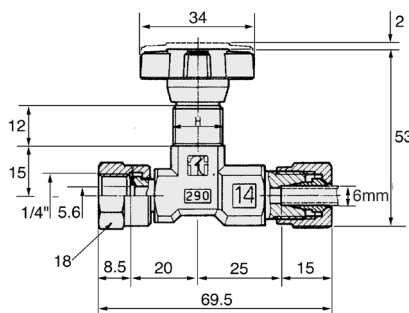
Features

- Swivel Gauge Thread 1/4" BSP Parallel with Nitril 'O' Ring Seal
- Female System Thread BSP Taper

Type FT 290-04 Inline Gauge Isolator Needle Valve with 6mm Compression Connection

Maximum Pressure 400 BAR/6000 PSI
Carbon Steel

Article no.	Size	Price £	Price €
206003	1/4"	£44.10	€45.50
Panel Mounting Nut			
207014		£3.10	€3.20



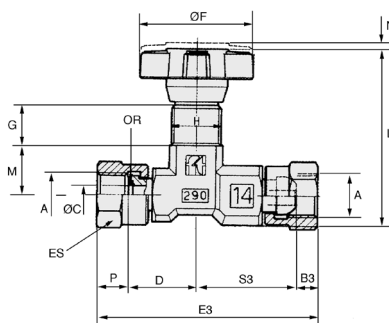
Features

- Swivel Gauge Thread 1/4" BSP Parallel with Nitril 'O' Ring Seal
- DIN 2353 Compression System Connection Suit 6S Tube

Type FT 290-05 Inline Gauge Isolator Needle Valve with Swivel Female Connection

Maximum Pressure 400 BAR/6000 PSI
Carbon Steel

Article no.	Size	Price £	Price €
206004	1/4"	£43.20	€44.60
Panel Mounting Nut			
207014		£3.10	€3.20



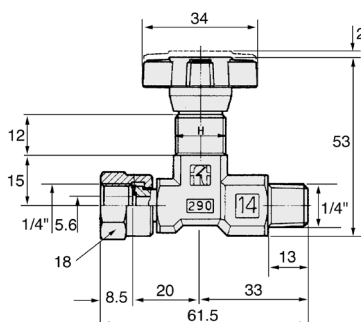
Features

- Swivel Gauge Thread 1/4" BSP Parallel with Nitril 'O' Ring Seal
- Swivel BSP Female System Connection (with 60° Cone)

Type FT 2290 Inline Gauge Isolator Needle Valve Stainless Steel (316)

Maximum Pressure 400 BAR/6000 PSI
Stainless Steel (316)

Article no.	Size	Price £	Price €
94086	1/4"	£157.70	€162.70
940862	1/2"	£300.20	€309.60



Features

- Swivel Gauge Thread 1/4" BSP Parallel with Nitril 'O' Ring Seal
- Male System Thread BSP Taper