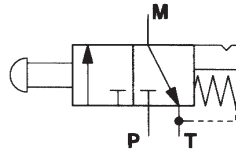


# PRESSURE GAUGE ISOLATOR VALVE PUSH TO READ

400 BAR Rated

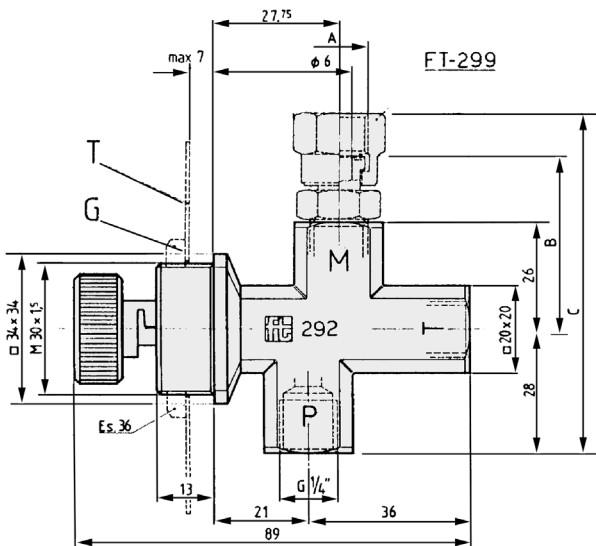
## Materials

Body	Steel 9SMn28K
Seal	NITRIL (Others on Request)
Stem	Steel
Handle	ABS Plastic
Temp. Range	-20 TO +100°C



INSTRUMENTATION

## PANEL MOUNTED

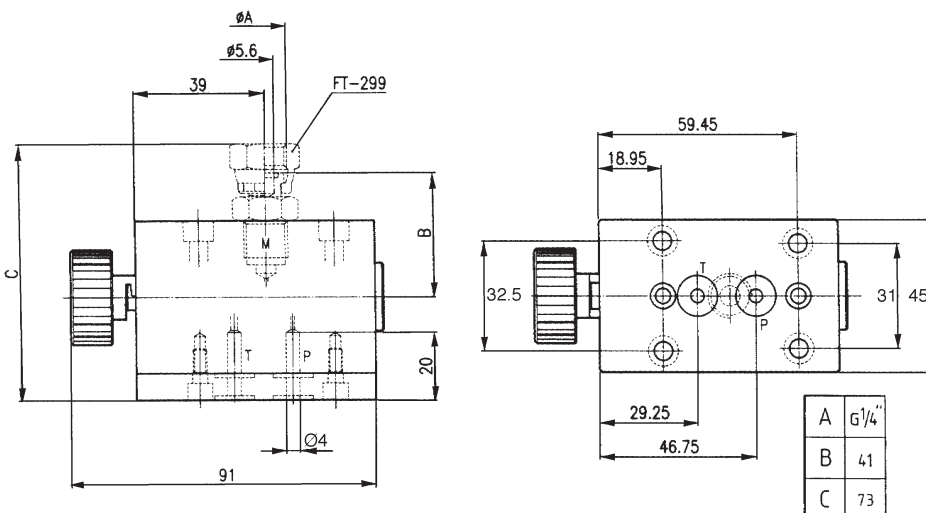


A	G 1/4"
B	45
C	80



	Article no.	Price £	Price €
Valve	206010	£69.50	€71.70
Panel nut	207001	£6.30	€6.50
Nameplate	206015	£9.50	€9.80

## MANIFOLD MOUNTED



A	G 1/4"
B	41
C	73



	Article no.	Price £	Price €
	206012	£192.50	€198.50