



# 2/2 VALVES PRESSURE OPERATED ASCO 290 SERIES

- Piston-type
- On/off



## Technical

Fluids	air, inert gas, water, oil (<600cSt) superheated water, steam, aggressive fluids
Pilot pressure	Refer to selection table
Allowable vacuum	10 <sup>-2</sup> mbar
Fluid temperature	-10°C to +184°C
Ambient temperature	-10°C to +60°C
Body	Stainless steel, AISI 316L (operator Ø32) Bronze or stainless steel 316L (other operators)
Disc / stuffing box seal	PTFE
Other sizes and options available	- please contact our sales team

## Features

- Electrically operated version available ([see page 46](#))
- Long service life, maintenance free actuators
- High flow capability
- Anti water hammer design
- High cycling
- Back pressure resistant
- Large range of certification
- Extensive range of options & accessories
- Proportional option available
- Available for food contact applications
- Various valve body connections
- Respect the environment / ROHS material

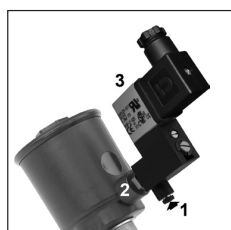
## Bronze

Article no.	barg	Size	Price £	Price €
E290D0230DA0000	16	1/2"	£291.70	€350.00
E290D0330DA0000	10	3/4"	£302.70	€363.20
E290D0350DA0000	16	3/4"	£343.60	€412.30
E290D0450DA0000	10	1"	£371.50	€445.80
E290D0480DA0000	16	1"	£408.70	€490.40
E290D0580DA0000	12	1 1/4"	£557.30	€668.80
E290D0680DA0000	8	1 1/2"	£650.10	€780.10
E290D0780DA0000	10	2"	£891.60	€1,069.90

## Stainless Steel

Article no.	barg	Size	Price £	Price €
E290D0230SA0000	16	1/2"	£455.10	€546.10
E290D0330SA0000	10	3/4"	£464.40	€557.30
E290D0350SA0000	16	3/4"	£503.30	€604.00
E290D0450SA0000	10	1"	£562.80	€675.40
E290D0480SA0000	16	1"	£664.90	€797.90
E290D0580SA0000	12	1 1/4"	£761.60	€913.90
E290D0680SA0000	8	1 1/2"	£891.60	€1,069.90
E290D0780SA0000	10	2"	£1,281.70	€1,538.00

Pipe size	Orifice size	Flow coefficient	Pilot pressure (bar)		max. operating pressure differential (bar)			operator dia.		
			min	max	air, inert gas, aggressive fluids	water, oil, liquids, aggressive fluids	steam ≤184°C	mm	Bronze	Stainless steel
1/2	15	4.9	4	10	16	16	10	50	E290D0230DA0000	E290D0230SA0000
			4	10	10	10	10	50	E290D0330DA0000	E290D0330SA0000
3/4	20	9.4	4	10	16	16	10	63	E290D0350DA0000	E290D0350SA0000
			4	10	10	10	10	63	E290D0450DA0000	E290D0450SA0000
1	25	16.5	4	10	16	16	10	90	E290D0480DA0000	E290D0480SA0000
			4	10	12	12	10	90	E290D0580DA0000	E290D0580SA0000
1 1/2	40	45	4	10	8	8	8	90	E290D0680DA0000	E290D0680SA0000
2	50	66	4	10	10	10	10	125	E290D0780DA0000	E290D0780SA0000



## Accessories - Banjo Pilot Valve

Operator dia.	Model	Ordering code	Body Material	Air connection
	18900032	453763*	Polyamide	4mm push-fit
32-50-63	SCG356B053VMS	453764*	Brass	1/8" BSP
	SCG356B058VMS	453765*	Stainless Steel	1/8" BSP
90-125	E314K141S1N01	453766*	Brass	1/4" BSP
	E314K140S1N01	453767*	Stainless Steel	1/4" BSP

\* Suffix with:  
A = 230V AC  
B = 110V AC  
D = 24V DC

# 2/2 VALVES PRESSURE OPERATED ASCO 290 SERIES

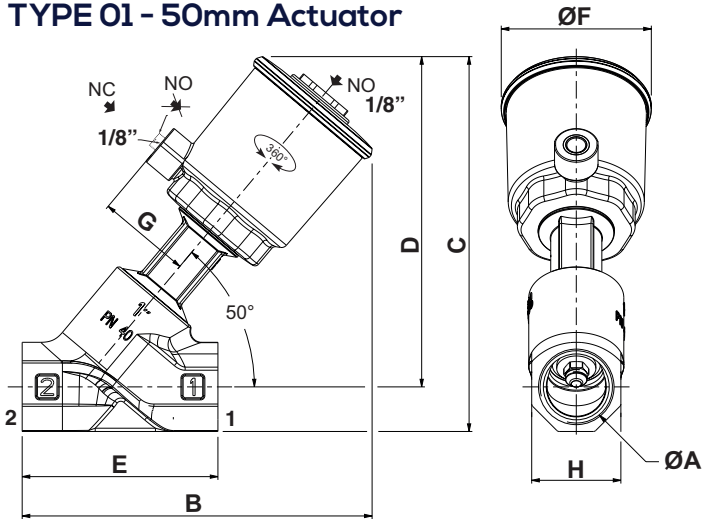
- Piston-type
- On/off



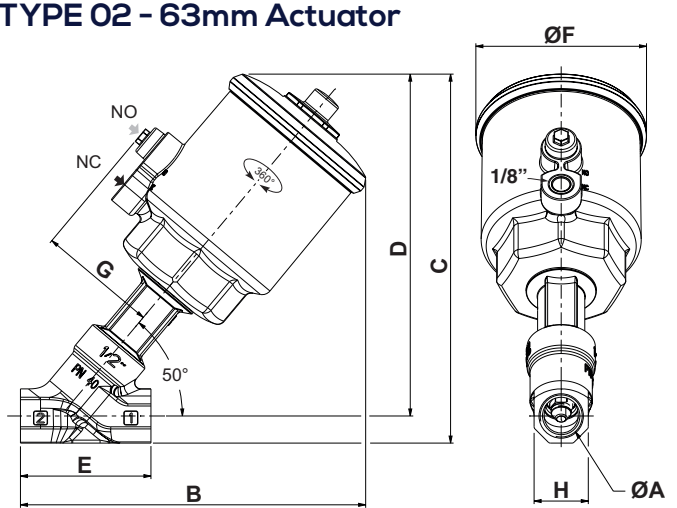
PNEUMATIC ACTUATED VALVES

## Dimensions

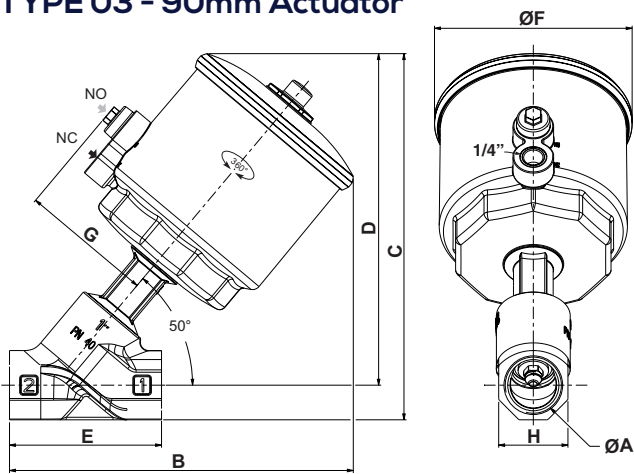
### TYPE 01 - 50mm Actuator



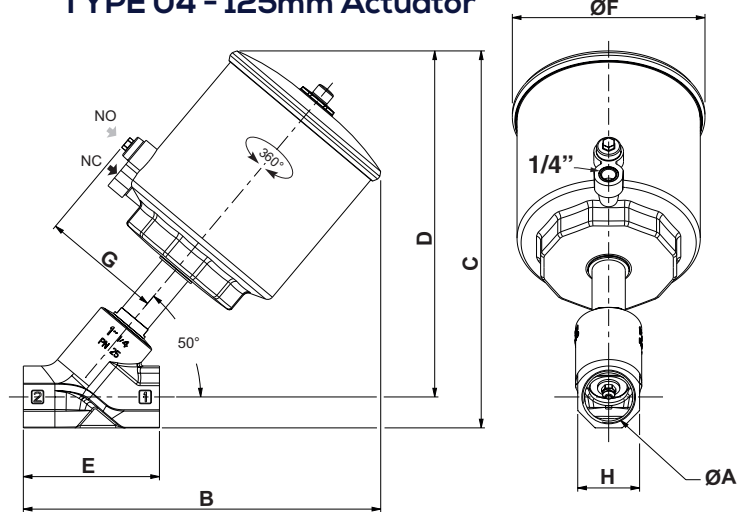
### TYPE 02 - 63mm Actuator



### TYPE 03 - 90mm Actuator



### TYPE 04 - 125mm Actuator



TYPE	Actuator Diameter	ØA	B mm	B1 mm	C mm	D mm	E mm	ØF mm	G mm	H mm	Weight kg
01	50mm	G* 1/2"	147.5	168	156.5	143	65	69	43	27	0.8
		G* 3/4"	151.5	172	160	144	75	69	43	32	0.9
02	63mm	G* 3/4"	176	193.5	187	171	75	85	59.5	32	1.1
		G* 1"	185.5	203	199.5	179	90	85	59.5	41	1.5
03	90mm	G* 1"	203.5	210	217	196.5	90	117	78.5	41	2.1
		G* 1 1/4"	224.5	231	233	253	110	117	78.5	50	2.5
04	125mm	G* 1 1/2"	224	230.5	240	210	120	117	78.5	60	3.1
		G* 2"	314.5	307	327	292	150	156	97	70	7.2