

HYDRAULIC NEEDLE VALVES DOUBLE ACTING FOR FLOW CONTROL & SHUT OFF FT257 SERIES

320 - 400 BAR Rated



ALUMINIUM HANDLE

Carbon Steel

Article no.	Article no.	Size BSP	Max Pressure BAR	Max Flow LPM	Price £	Price €
ALUMINIUM HANDLE	BLACK ABS HANDLE					
201001		1/8"	400	12	£69.50	€71.70
201002	202001	1/4"	400	25	£65.30	€67.30
201003	202002	3/8"	400	60	£78.90	€81.30
201004	202003	1/2"	400	75	£96.70	€99.70
201005	202004	3/4"	400	120	£165.40	€170.50
201006	202005	1"	320	200	£296.00	€305.20
201007	202006	1 1/4"	320	250	£402.00	€414.50
201008	202007	1 1/2"	320	350	£480.00	€495.00
201009	202008	2"	320	350	£827.60	€853.50

Stainless Steel

Article no.	Size BSP	Max Pressure BAR	Max Flow LPM	Price £	Price €
ALUMINIUM HANDLE					
212001	1/4"	400	25	£228.10	€235.20
212002	3/8"	400	60	£297.60	€306.90
212003	1/2"	400	75	£434.20	€447.70
212004	3/4"	400	120	£671.60	€692.60
212005	1"	320	200	£1,352.60	€1,394.80
212006	1 1/4"	320	250	£1,478.10	€1,524.30
212007	1 1/2"	320	350	£2,337.10	€2,410.10
212008	2"	320	350	£3,049.40	€3,144.70

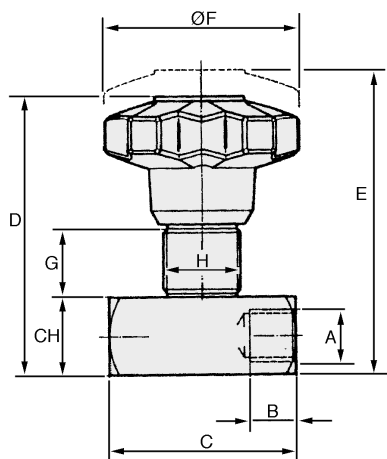
Panel Mounting Nuts - STEEL

Article no.	Size	Price £	Price €
207003	1/8"	£3.20	€3.30
207004	1/4"	£3.90	€4.00
207005	3/8"	£4.20	€4.40
207006	1/2"	£7.00	€7.20
207008	3/4"	£9.00	€9.30
207009	1" & 1 1/4"	£10.50	€10.80



Materials

Body	Steel 9SMn28K or S/S
Stem	Steel or S/S
Stem seal	NITRIL or VITON
Temp. range	-20 TO +100°C
Control knob	ABS Plastic - FT257/1 Aluminium - FT257/2



Dimensions (mm)

Size	B	C	D	E	F	G	H	CH	WEIGHT kg
1/8"G	8.5	38	59	64	40	13.5	m17x1	16	0.110
1/4"G	12.5	49	71	78	50	17	m20x1	20	0.200
3/8"G	12.5	59	84	93	70	19.5	M25x1.5	25	0.375
1/2"G	15.5	68	97	107	80	21	M30x1.5	30	0.600
3/4"G	17	86	120.5	132.5	100	26.5	M40x1.5	40	1.250
1"G	20	105	151.5	167.5	120	35	m50x1.5	50	2.550
1 1/4"G	22	120	156.5	172.5	120	35	m50x1.5	55	3.000
1 1/2"G	24	134	167	181	120	35	M55x2	65	4.2
2"G	27	150	188	202	85*	44	M65x2	75	7.3

*ALUMINIUM HANDLE ONLY