

FLOW CONTROL NEEDLE VALVES DOUBLE ACTING

210 BAR Rated

Nickel plated brass



Article no.	Size	BSP	Max Pressure BAR	Max Flow LPM	Price £	Price €
201020	1/8"		210	2*	£70.40	€72.60
201010	1/8"		210	10	£44.10	€45.50
201011	1/4"		210	20	£41.60	€42.90
201012	3/8"		210	30	£52.60	€54.20
201013	1/2"		210	50	£77.20	€79.60
201014	3/4"		210	90	£142.50	€146.90

* Fine control between 0 & 2 lpm body passivated

316 Stainless Steel with viton seals - 300 BAR RATED



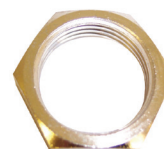
Article no.	Size	BSP	Max Pressure BAR	Max Flow LPM	Price £	Price €
201060	1/8"		300	10	£166.20	€171.40
201061	1/4"		300	20	£155.20	€160.00
201062	3/8"		300	30	£191.60	€197.60
201063	1/2"		300	60	£299.30	€308.70
201069	3/4"		300	90	£402.80	€415.40

Panel Mounting Nuts - BRASS



'MP' PLASTIC HANDLE
on request interchangeable
with aluminium knob

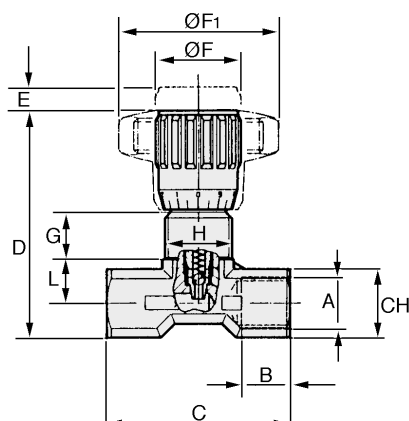
Article no.	Size	BSP	Price £	Price €
207010	1/8"		£3.20	€3.30
207011	1/4"		£3.10	€3.10
207012	3/8"		£3.20	€3.30
207013	1/2"		£4.60	€4.70
207006	3/4"		£7.10	€7.30



Materials

Body	Brass - Nickel Plated Or Stainless Steel
Stem	304 Stainless Steel
Stem seal	NITRIL (others on request)
Temp. range	-20 TO +100°C

Dimensions (mm)



size	B	C	D	E	F	f1	G	H	L	CH	WEIGHT kg
1/8"	8	40	55	4	22	40	12	m15x1	9.5	15	0.105
1/4"	12	46	57	4.5	22	40	12	m17x1	11	17	0.122
3/8"	13	55	69	7	27	50	11.5	M20x1	15	22	0.233
1/2"	16	70	82	10	33	70	13	M25x1.5	19	27	0.455
3/4"	20	91	100	12	38	80	15	M30x1.5	22	34	0.86