

LUGGED BUTTERFLY VALVES WITH STAINLESS STEEL DISC - S301 SERIES

for flanges BS4504 - PN16



PNEUMATIC ACTUATED VALVES

with Double Acting Actuator

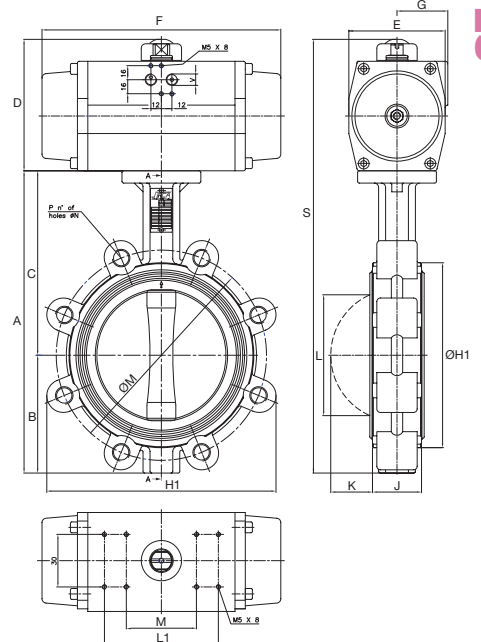
Article no.	Article no.	Size	Price	Price
EPDM LINER	NITRIL LINER	mm - ins	£	€
700480DA	700500DA	DN40 - 1 1/2"	£205.60	€212.00
700481DA	700501DA	DN50 - 2"	£241.60	€249.20
700482DA	700502DA	DN65 - 2 1/2"	£284.80	€293.70
700483DA	700503DA	DN80 - 3"	£299.20	€308.60
700484DA	700504DA	DN100 - 4"	£364.00	€375.40
700485DA	700505DA	DN125 - 5"	£541.60	€558.50
700486DA	700506DA	DN150 - 6"	£577.60	€595.70
700487DA	700507DA	DN200 - 8"	£999.20	€1,030.40
700488DA	700508DA	DN250 - 10"	OR	OR
700489DA	700509DA	DN300 - 12"	OR	OR

with Spring Return Actuator

Article no.	Article no.	Size	Price	Price
EPDM LINER	NITRIL LINER	mm - ins	£	€
700480SR	700500SR	DN40 - 1 1/2"	£228.00	€235.10
700481SR	700501SR	DN50 - 2"	£302.40	€311.90
700482SR	700502SR	DN65 - 2 1/2"	£380.80	€392.70
700483SR	700503SR	DN80 - 3"	£449.60	€463.70
700484SR	700504SR	DN100 - 4"	£514.40	€530.50
700485SR	700505SR	DN125 - 5"	£813.60	€839.00
700486SR	700506SR	DN150 - 6"	£926.40	€955.40
700487SR	700507SR	DN200 - 8"	£1,584.80	€1,634.30
700488SR	700508SR	DN250 - 10"	OR	OR
700489SR	700509SR	DN300 - 12"	OR	OR

Dimensions (mm)

Size	ØM				ØN					P			
	PN6	PN10	PN16	ANSI 150	PN6	PN10	PN16	ANSI 150		PN6	PN10	PN16	ANSI 150
								std.	metr.				
1 1/2"	100	110	110	98.5	M12	M16	M16	1/2"	M14	4	4	4	4
2"	110	125	125	120.5	M12	M16	M16	5/8"	M18	4	4	4	4
2 1/2"	130	145	145	139.5	M12	M16	M16	5/8"	M18	4	4	4	4
3"	150	160	160	152.5	M16	M16	M16	5/8"	M18	4	8	8	4
4"	170	180	180	190.5	M16	M16	M16	5/8"	M18	4	8	8	8
5"	200	210	210	216	M16	M16	M16	3/4"	M20	8	8	8	8
6"	225	240	240	241.5	M16	M20	M20	3/4"	M20	8	8	8	8
8"	280	295	295	298.5	M16	M20	M20	3/4"	M20	8	8	12	8
10"	335	350	355	362	M16	M20	M24	7/8"	M22	12	12	12	12
12"	395	400	410	432	M20	M20	M24	7/8"	M22	12	12	12	12



Dimensions (mm)

Size	Actuator	A	B	C	D	E	F	G	H1	ØH1	J	K	L	L1	M	V	S	Weight Kg
1 1/2"	AP1 DA	190	60.4	129.6	87	60	142	41	111	83.5	33	4.25	19.7	/	80	1/8"	277	2.6
	AP1 SR				87	60	142	41						/	80	1/8"	277	2.72
2"	AP2 DA	207	72	135	103	73	155	44.5	120	99	43	4.75	21.2	/	80	1/4"	310	3.82
	AP3 SR				120	85	213	49.5						/	80	1/4"	327	5.5
2 1/2"	AP3 DA	232	82	150	120	85	213	49.5	138	116	46	10.5	44.6	/	80	1/4"	352	6.75
	AP3.5 SR				130	98	236	53						/	80	1/4"	362	8.5
3"	AP3 DA	252	92	160	120	85	213	49.5	150	135	46	18	65	/	80	1/4"	372	7.94
	AP4 SR				145	110	276	58						/	80	1/4"	397	11.6
4"	AP3 DA	282	102	180	120	85	213	49.5	213	157	52	25	85	/	80	1/4"	402	9.94
	AP4 SR				145	110	276	58						/	80	1/4"	427	13.6
5"	AP4 DA	315	120.5	194.5	145	110	276	58	243	197	56	35.5	112	/	80	1/4"	460	14.3
	AP4.5 SR				172	128	310	69						130	80	1/4"	487	18.87
6"	AP4 DA	345	134.5	210.5	145	110	276	58	267	211	56	44.6	138	/	80	1/4"	490	16.5
	AP5 SR				185	140	366	/						130	80	1/4"	530	24.02
8"	AP5 DA	410	172	238	185	140	366	/	320	270	60	71	193	130	80	1/4"	595	28.9
	AP6 SR				230	175	468	/						130	80	1/4"	640	42.66
10"	AP5 DA	481	202	279	185	140	366	/	402	317	68	90	238.7	130	80	1/4"	666	39.1
	AP6 SR				230	175	468	/						130	80	1/4"	711	52.86
12"	AP6 DA	553	239	314	230	175	468	/	473	373	78	111	289	130	80	1/4"	783	63.06
	AP8 SR				300	215	563	/						130	/	1/4"	853	88.22