



# CARBON STEEL WAFFER PATTERN FLANGED ACTUATED BALL VALVE - BS4504 - PN16

**16 BAR Rated**

## Double Acting

Article no.	Size	Price £	Price €
72012004	1/2"	£364.80	€376.20
72012005	3/4"	£381.20	€393.10
72012006	1"	£413.60	€426.50
72012007	1 1/4"	£451.30	€465.40
72012008	1 1/2"	£510.50	€526.40
72012010	2"	£604.70	€623.60
72012012	2 1/2"	£877.50	€904.90
72012014	3"	£995.10	€1,026.20
72012018	4"	£1,396.30	€1,439.90
72012019	5"	£2,139.70	€2,206.60
72012020	6"	£3,025.40	€3,119.90

## Spring Return

Article no.	Size	Price £	Price €
72012104	1/2"	£400.00	€412.50
72012105	3/4"	£432.40	€445.90
72012106	1"	£464.80	€479.30
72012107	1 1/4"	£502.50	€518.20
72012108	1 1/2"	£635.30	€655.10
72012110	2"	£755.10	€778.70
72012112	2 1/2"	£1,095.10	€1,129.30
72012114	3"	£1,289.50	€1,329.80
72012118	4"	£1,629.90	€1,680.80
72012119	5"	£2,706.10	€2,790.70
72012120	6"	£4,356.60	€4,492.70

**Additional cost for actuators supplied fitted with:**



### Limit Switch Box [page 28](#)

Article no.		Price £	Price €
SWBOX	IP67 Standard	£68.40	€82.10
SWBOXP	Proximity Switches	£265.60	€318.70
SWBOXIS	Intrinsically Safe Box	£265.60	€318.70
SWBOXEX	Explosion Proof	£288.00	€345.60

### Namur Pilot Solenoid Valve [page 29](#)



Article no.		Price £	Price €
55100229*	Suffix * with A - 220V AC B - 110V AC D - 24V DC	£105.20	€131.50

Intrinsically Safe & Explosion Proof also available

### PD100 Smart Valve Positioner [page 30](#)



Article no.	Price £	Price €
420100	£1,942.90	€2,236.70

- 4-20mA input signal & Auto calibration
- Local user interface & LCD display
- Optional features available

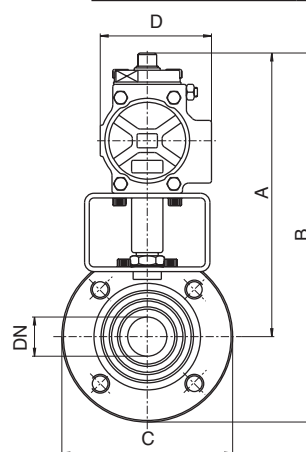
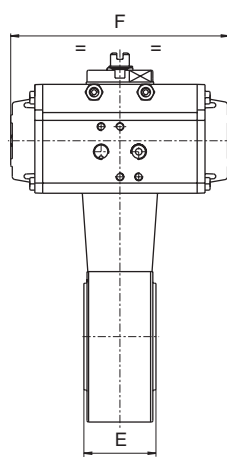
### IP67 Inductive Proximity Switch [page 31](#)



Article no.	Price £	Price €
IPSFIT	£283.50	€340.10

- inductive sensor included (555602)
- target puck included (555422)

Optional 2mtr cable with M12 connector		
Article no.	Price £	Price €
ECV001	£17.70	€21.20



## Valve with Double Acting Actuator

DN	15	20	25	32	40	50	65	80	100	125	150	200
PN	16	16	16	16	16	16	16	16	16	16	16	16
A	147	176	181	188	214	239	265	276	324	377	414	492
B	192	226	236	253	284	314	353	371	434	502	564	662
C	90	100	110	130	140	150	175	190	220	250	300	340
D	45	71	71	71	81	95	106	106	123	137	148	187
E	35	40	46	54	64	82	103	122	152	196	232	317
F	110	140	140	140	162	207	238	238	272	328	366	522
ACT.	AP0	AP1	AP1	AP1	AP2	AP3	AP3.5	AP3.5	AP4	AP4.5	AP5	AP6

## Valve with Spring Return Actuator

DN	15	20	25	32	40	50	65	80	100	125	150	200
PN	16	16	16	16	16	16	16	16	16	16	16	16
A	171	187	192	199	242	264	328	351	366	423	499	543
B	216	237	247	264	312	339	416	445	476	548	649	713
C	90	100	110	130	140	150	175	190	220	250	300	340
D	71	81	81	81	106	123	137	148	148	187	218	218
E	35	40	46	54	64	82	103	122	152	196	232	317
F	140	162	162	162	238	272	328	366	366	522	575	575
ACT.	AP1	AP2	AP2	AP2	AP3.5	AP4	AP4.5	AP5	AP5	AP6	AP8	AP8