



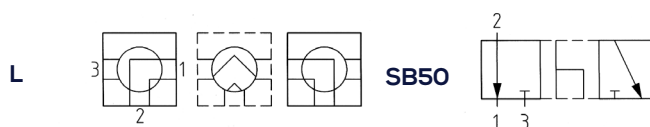
# 3 WAY COMPACT BALL VALVE WITH SAE-CONNECTION BK3K-SAE STEEL

SAE 6000 Series

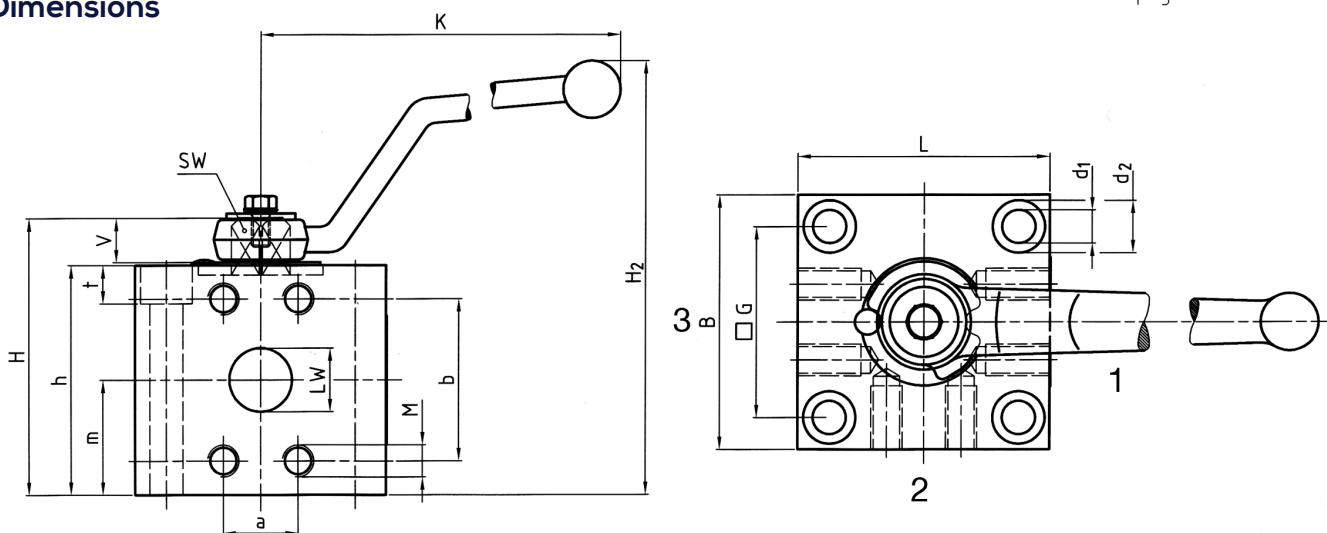
Article no.	Size	BAR	Price £	Price €
39013	1/2"	420	ON REQUEST	
39014	3/4"	420	ON REQUEST	
39015	1"	420	ON REQUEST	
39016	1 1/4"	420	ON REQUEST	
39017	1 1/2"	420	ON REQUEST	
39018	2"	420	ON REQUEST	

## Materials

Body	Steel
Ball	Steel
Stem	Steel
Ball seats	POM
O-rings	NBR
Temp. range	-20°C to 100°C
Porting pattern	L=SB50



## Dimensions



## SAE J 518 c 6000 psi

Type	Connection	DN	LW	L	B	H	h	m	V	SW	K
BK3K	SAE420	13	13	70	70	63	56	28	11	9	115
BK3K	SAE420	20	20	80	80	87	72	36	14	14	170
BK3K	SAE420	25	25	94	94	96	81	42	14	14	170
BK3K	SAE420	32	32	100	100	117	100	50.5	16.5	17	306
BK3K	SAE420	40	38	110	110	129	112	55	16.5	17	306
BK3K	SAE420	50	48	135	135	147	135	67.5	16.5	17	306

DN	a	b	M <sup>(2)</sup>	G	d <sub>1</sub>	d <sub>2</sub>	t	H <sub>1</sub>	Lever	Weight Kg
13	18.2	40.5	M8	43	8.5	13.5	9	101	St	2.00
20	23.8	50.8	M10	60	10.5	16.5	11	137	St	3.40
25	27.8	57.2	M12	70	10.5	16.5	11	146	St	5.40
32	31.8	66.7	M14	76	13	19	13	181	St	7.50
40	36.5	79.4	M16	84	13	19	13	193	St	10.20
50	44.5	96.8	M20	108	13	19	13	211	St	18.50

(1) Connection SAE210 (for PN21 MPa) on request  
(2) UNC-threads on request

These products are not 'PED Compliant' for use with GAS

Should you have a GAS application please contact our sales office in order that they can check the PED requirements and offer a CE marked suitable product.