

BALL VALVE WITH SAE FLANGE BKH-SAE

Carbon Steel – SAE 3000 & 6000 Series

3000 Series

Article no.	Size	PN (BAR)	Price £	Price €
107101	1/2"	210	ON REQUEST	
107102	3/4"	210	ON REQUEST	
107103	1"	210	ON REQUEST	

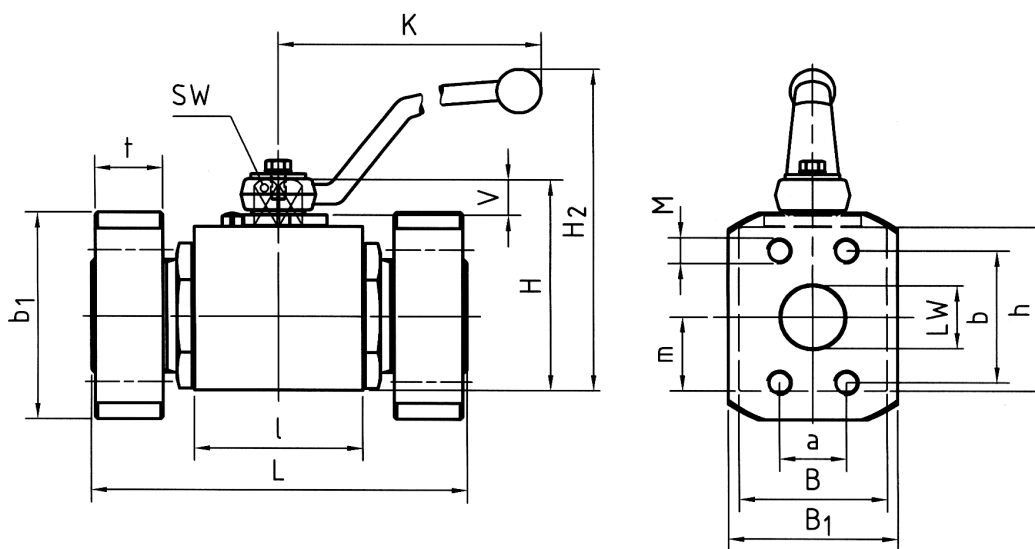
6000 Series

Article no.	Size	PN (BAR)	Price £	Price €
107110	1/2"	420	ON REQUEST	
107111	3/4"	315	ON REQUEST	
107112	1"	315	ON REQUEST	

Materials

Body	Steel
Ball	Steel
Stem	Steel
Ball seats	POM
O-rings	NBR
Temp. range	-20°C to 100°C

Dimensions



SAE J 518 c 3000 psi

Type	DN	LW	L	I	B	H	h	m	V	SW	K	B ₁	b ₁	t	a	b	M	H ₂	Kg
BKH	13	13	120	48	35	54	40	19	11	9	115	46	58	16	17.5	38.1	M8	89	1.50
BKH	20	20	136	62	49	75	57	24.5	14	14	170	49	66	18	22.2	47.6	M10	127	3.00
BKH	25	25	148	66	58	83	65	29.5	14	14	170	53	71	19	26.2	52.4	M10	135	4.50

SAE J 518 c 6000 psi

Type	DN	LW	L	I	B	H	h	m	V	SW	K	B ₁	b ₁	t	a	b	M	H ₂	Kg
BKH	13	13	120	48	35	54	40	19	11	9	115	46	58	16	18.2	40.5	M8	89	1.50
BKH	20	20	136	62	49	75	57	24.5	14	14	170	53	71	19	23.8	50.8	M10	127	3.00
BKH	25	25	148	66	58	83	65	29.5	14	14	170	66	80	24	27.8	57.2	M12	135	4.50

Stainless Steel Version Available on Request

These products are not 'PED Compliant' for use with GAS

Should you have a GAS application please contact our sales office in order that they can check the PED requirements and offer a CE marked suitable product.