

STAINLESS STEEL ANSI 150 FLANGED BALL VALVE WITH PNEUMATIC ACTUATOR

Fire Safe & Anti-static – API607 / BS6755

Full Bore Flanged Ball Valve



PNEUMATIC ACTUATED VALVES

Double Acting

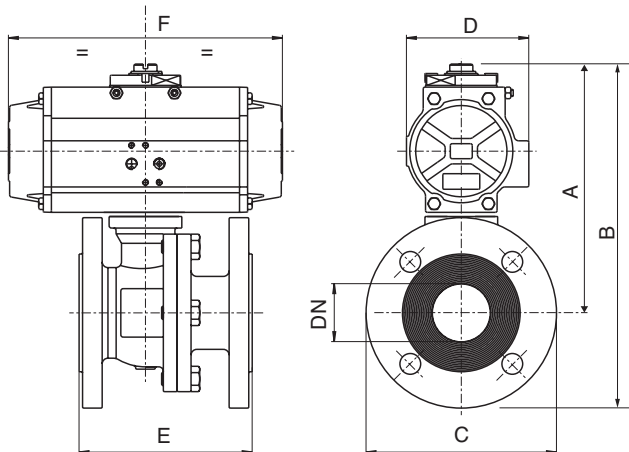
Article no.	Size	Price £	Price €
728504DA	1/2"	£267.70	€276.10
728505DA	3/4"	£331.90	€342.30
728506DA	1"	£382.10	€394.10
728508DA	1 1/2"	£569.80	€587.60
728510DA	2"	£756.10	€779.70
728514DA	3"	£1,293.30	€1,333.80
728518DA	4"	£1,968.40	€2,029.90
728520DA	6"	£4,509.20	€4,650.10
728521DA	8"	ON REQUEST	

ANSI 300 - ON REQUEST

Spring Return

Article no.	Size	Price £	Price €
728504SR	1/2"	£318.90	€328.90
728505SR	3/4"	£392.70	€405.00
728506SR	1"	£442.90	€456.80
728508SR	1 1/2"	£720.20	€742.70
728510SR	2"	£845.70	€872.10
728514SR	3"	£1,526.90	€1,574.70
728518SR	4"	£2,112.40	€2,178.40
728520SR	6"	£5,613.20	€5,788.60
728521SR	8"	ON REQUEST	

ANSI 300 - ON REQUEST



Overall Dimensions - Double Acting

DN	1/2"	3/4"	1"	1 1/2"	2"	2 1/2"	3"	4"	6"	8"
A	136	156	162	196	202	232	257	312	410	483
B	184	206	217	259	277	322	352	427	550	656
C	90	100	110	125	150	180	190	230	280	345
D	60	73	73	85	85	98	110	128	160	175
E	108	117	127	165	178	190	203	229	394	457
F	142	155	155	213	213	236	276	310	388	468
ACT.	AP1	AP2	AP2	AP3	AP3	AP3.5	AP4	AP4.5	AP5.5	AP6

Overall Dimensions - Spring Return

DN	1/2"	3/4"	1"	1 1/2"	2"	2 1/2"	3"	4"	6"	8"
A	152	156	179	196	212	274	284	325	504	553
B	197	206	234	259	287	364	379	440	644	726
C	90	100	110	125	150	180	190	230	280	345
D	73	73	85	85	98	128	128	140	215	215
E	108	117	127	165	178	190	203	229	394	457
F	155	155	213	213	236	310	310	366	563	563
ACT.	AP2	AP2	AP3	AP3	AP3.5	AP4.5	AP4.5	AP5	AP8	AP8

Materials

Body	316 S/S
Ball	316 S/S
Stem Seal	PTFE
Ball Seal	PTFE

Additional cost for actuators supplied fitted with:



Limit Switch Box [page 28](#)

Article no.		Price £	Price €
SWBOX	IP67 Standard	£68.40	€82.10
SWBOXP	Proximity Switches	£265.60	€318.70
SWBOXIS	Intrinsically Safe Box	£265.60	€318.70
SWBOXEX	Explosion Proof	£288.00	€345.60

Namur Pilot Solenoid Valve [page 29](#)



Article no.		Price £	Price €
55100229*	Suffix * with A - 220V AC B - 110V AC D - 24V DC	£105.20	€131.50

Intrinsically Safe & Explosion Proof also available

PD100 Smart Valve Positioner [page 30](#)

Article no.	Price £	Price €
420100	£1,942.90	€2,236.70

- 4-20mA input signal & Auto calibration
- Local user interface & LCD display
- Optional features available

IP67 Inductive Proximity Switch [page 31](#)

Article no.	Price £	Price €
IPSFIT	£283.50	€340.10

- inductive sensor included (555602)
- target puck included (555422)

Optional 2mtr cable with M12 connector

ECV001	£17.70	€21.20
--------	--------	--------

