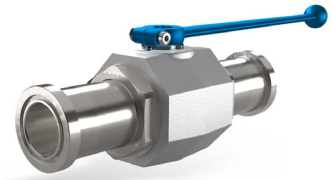


# BALL VALVE WITH SAE SPLIT FLANGED ADAPTOR MKH-SAEFS

Carbon Steel – SAE 3000 & 6000 Series



Cranked Lever as standard  
Straight Lever available on request



HIGH PRESSURE BALL VALVES

3000 Series					Split Flanges (pair)		
Size	PN (BAR)	Article no.	Price £	Price €	Article no.	Price £	Price €
1 1/4"	210	9107004	ON REQUEST		SF3004	ON REQUEST	
1 1/2"	210	9107005	ON REQUEST		SF3005	ON REQUEST	
2"	210	9107006	ON REQUEST		SF3006	ON REQUEST	

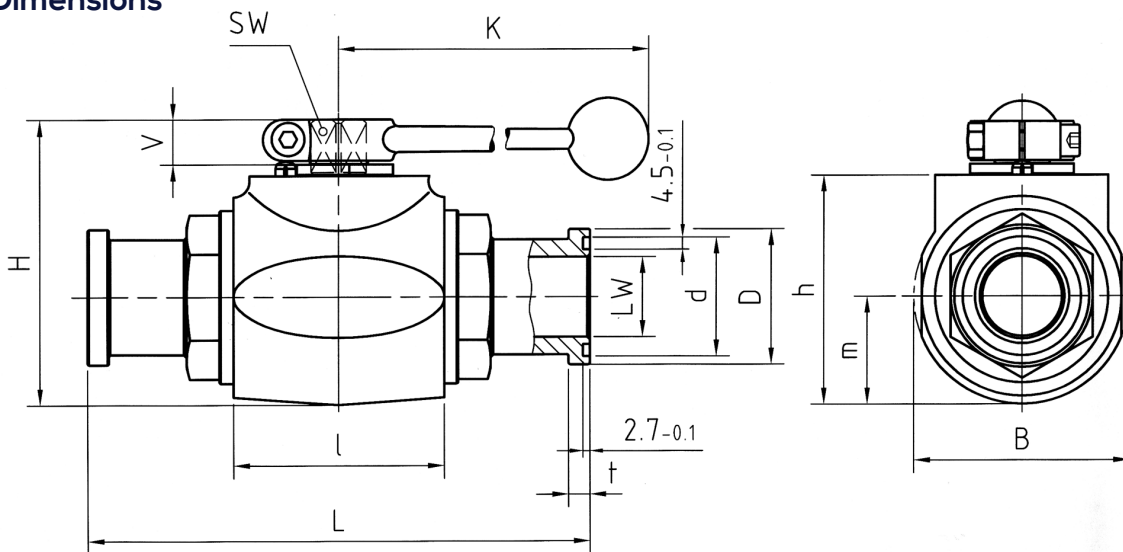
  

6000 Series					Split Flanges (pair)		
Size	PN (BAR)	Article no.	Price £	Price €	Article no.	Price £	Price €
1 1/4"	420	107013	ON REQUEST		SF6004	ON REQUEST	
1 1/2"	420	107014	ON REQUEST		SF6005	ON REQUEST	
2"	420	107015	ON REQUEST		SF6006	ON REQUEST	

## Materials

Body	Steel
Ball	Steel
Stem	Steel
Ball seats	POM
O-rings	NBR
Temp. range	-20°C to 100°C

## Dimensions



### SAE J 518 c 3000 psi

Type	DN	LW	L	I	B	H	h	m	V	SW	K	$d_{+/-0.1}$	$D_{-0.2}$	$t_{-0.2}$	Lever	Kg
MKH	32	30	191	80	81	107	86	40.5	16.5	17	320	44.6	50.8	8.1	Al	4.00
MKH	40	38	231	85	100	124	103	50	16.5	17	320	54.1	60.3	8.1	Al	6.25
MKH	50	48	232	100	118	138	117	59	16.5	17	320	63.6	71.4	9.6	Al	8.80

### SAE J 518 c 6000 psi

Type	DN	LW	L	I	B	H	h	m	V	SW	K	$d_{+/-0.1}$	$D_{-0.2}$	$t_{-0.2}$	Lever	Kg
MKH	32	30	223	80	81	107	86	40.5	16.5	17	320	44.6	54	10.4	Al	4.50
MKH	40	38	281	85	100	124	103	50	16.5	17	320	54.1	63.5	12.7	Al	7.20
MKH	50	48	316	100	118	138	117	59	16.5	17	320	63.6	79.4	12.7	Al	10.90

### Stainless Steel Version Available on Request

These products are not 'PED Compliant' for use with GAS

Should you have a GAS application please contact our sales office in order that they can check the PED requirements and offer a CE marked suitable product.