



BALL VALVE WITH SAE SPLIT FLANGED ADAPTOR BKH-SAEFS

Carbon Steel – SAE 3000 & 6000 Series

Cranked Lever as standard
Straight Lever available on request



Materials

Body	Steel
Ball	Steel
Stem	Steel
Ball seats	POM
O-rings	NBR
Temp. range	-20°C to 100°C

3000 Series

Size	PN (BAR)	Article no.	Price £	Price €
1/2"	210	107001	ON REQUEST	
3/4"	210	9107002	ON REQUEST	
1"	210	9107003	ON REQUEST	

Split Flanges (pair)

Article no.	Price £	Price €
SF3001	ON REQUEST	
SF3002	ON REQUEST	
SF3003	ON REQUEST	

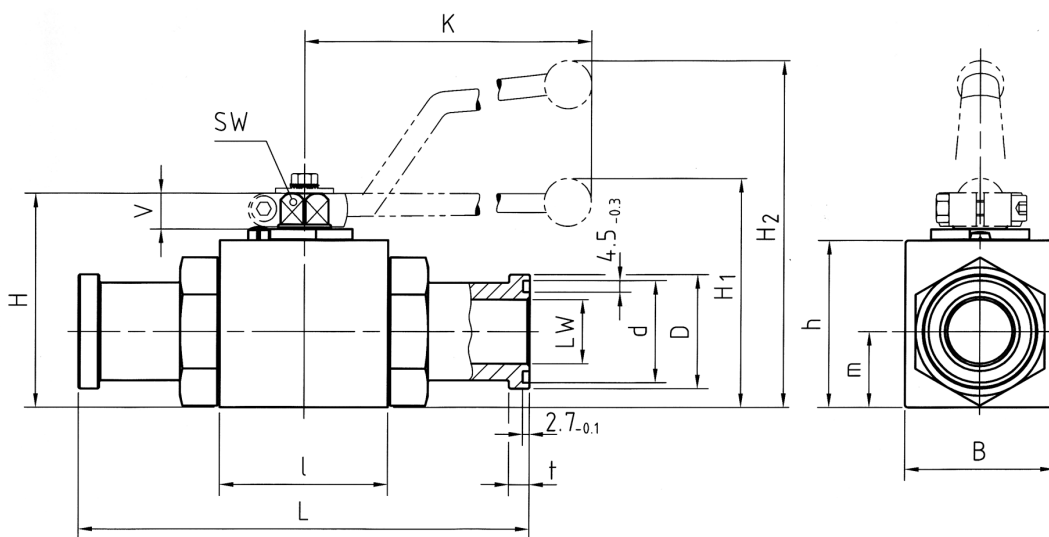
6000 Series

Size	PN (BAR)	Article no.	Price £	Price €
1/2"	420	107010	ON REQUEST	
3/4"	420	107011	ON REQUEST	
1"	420	107012	ON REQUEST	

Split Flanges (pair)

Article no.	Price £	Price €
SF6001	ON REQUEST	
SF6002	ON REQUEST	
SF6003	ON REQUEST	

Dimensions



SAE J 518 c 3000 psi

Type	DN	LW	L	I	B	H	h	m	V	SW	K	$d_{+/-0.1}$	$D_{-0.2}$	$t_{-0.2}$	H ₁	H ₂	Kg
BKH	13	13	151	48	35	54	40	19	11	9	115	25.5	30.2	6.8	-	89	0.85
BKH	20	19	162	62	49	75	57	24.5	14	14	200	31.9	38.1	6.8	79	-	1.87
BKH	25	25	178	66	58	83	65	29.5	14	14	200	39.8	44.4	8.1	87	-	2.70

SAE J 518 c 6000 psi

Type	DN	LW	L	I	B	H	h	m	V	SW	K	$d_{+/-0.1}$	$D_{-0.2}$	$t_{-0.2}$	H ₁	H ₂	Kg
BKH	13	13	151	48	35	54	40	19	11	9	115	25.5	31.8	7.9	-	89	0.90
BKH	20	19	174	62	49	75	57	24.5	14	14	200	31.9	41.3	8.9	79	-	1.95
BKH	25	25	198	66	58	83	65	29.5	14	14	200	39.8	47.6	9.6	87	-	3.00

Stainless Steel Version Available on Request

These products are not 'PED Compliant' for use with GAS

Should you have a GAS application please contact our sales office in order that they can check the PED requirements and offer a CE marked suitable product.