



WAFER PATTERN SAE FLANGED BALL VALVE KHZ

210 BAR

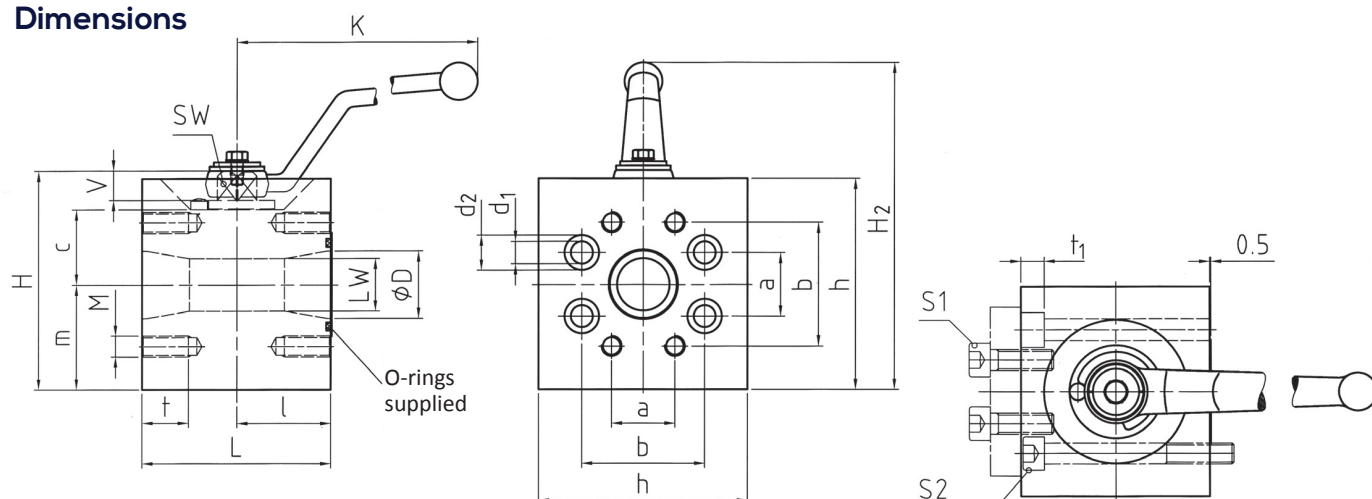


Article no.	Size	Price £	Price €
41612	1/2"	ON REQUEST	
41613	3/4"	ON REQUEST	
41614	1"	ON REQUEST	
41615*	1 1/4"	ON REQUEST	
41616	1 1/2"	ON REQUEST	
41617	2"	ON REQUEST	

Materials

Body	Steel
Ball	Steel
Stem	Steel
Ball seats	POM
O-rings	NBR
Temp. range	-10°C to 100°C

Dimensions



ISO 6162-1 210 BAR - Please note the pressure ratings of the SAE-flanges!

Type	DN	LW	D	L	I	H	h	m	K	SW	V	a	b	M	t	d ₁	d ₂	t ₁	H ₂
KHZ-SAE210	13	13	13	68	34	72	58	30	115	9	11	17.5	38.1	M8	15	8.5	13.5	9	109
KHZ-SAE210	20	20	20	70	35	93	75	37.5	170	14	14	22.3	47.6	M10	17	10.5	16.5	11	146
KHZ-SAE210	25	25	25	78	39	103	84.5	44	170	14	14	26.2	52.4	M10	17	10.5	16.5	11	155
KHZ-SAE210	32	25	32	90	45	118.5	100	50	170	14	14	30.2	58.7	M10	21	10.5	16.5	11	171
KHZ-SAE210	40	32	38	99	49.5	141.5	120	60	306	17	17	35.7	69.9	M12	21	13	19	13	206
KHZ-SAE210	50	38	49	120	60	158.5	137.5	70	306	17	17	42.9	77.8	M12	21	13	19	13	223

Type	DN	Lever	Dimensions of screws S1 ⁽¹⁾ (min)	Dimensions of screws S2 ⁽¹⁾ (min)	O-ring	Weight kg
KHZ-SAE210	13	St	M8x30 - 10.9	M8x70 - 10.9	18.64x3.53	1.8
KHZ-SAE210	20	St	M10x30 - 10.9	M10x80 - 10.9	24.99x3.53	2.8
KHZ-SAE210	25	St	M10x30 - 10.9	M10x80 - 10.9	32.92x3.53	3.9
KHZ-SAE210	32	St	M10x30 - 10.9	M10x90 - 10.9	37.69x3.53	6.5
KHZ-SAE210	40	St	M12x35 - 10.9	M12x100 - 10.9	47.22x3.53	10.5
KHZ-SAE210	50	St	M12x35 - 10.9	M12x120 - 10.9	56.74x3.53	16.5

Flanges and fixing bolts are available on request

These products are not 'PED Compliant' for use with GAS

Should you have a GAS application please contact our sales office in order that they can check the PED requirements and offer a CE marked suitable product.