



# CARBON STEEL ANSI 150 FLANGED BALL VALVE WITH PNEUMATIC ACTUATOR

**Fire Safe & Anti-static – API607 / BS6755**  
**Full Bore Flanged Ball Valve**

## Materials

Body	1.4408
Ball	1.4408
Stem Seal	PTFE
Ball Seal	PTFE

**Additional cost for actuators supplied fitted with:**



## Limit Switch Box [page 28](#)

Article no.		Price £	Price €
SWBOX	IP67 Standard	£68.40	€82.10
SWBOXP	Proximity Switches	£265.60	€318.70
SWBOXIS	Intrinsically Safe Box	£265.60	€318.70
SWBOXEX	Explosion Proof	£288.00	€345.60

## Namur Pilot Solenoid Valve [page 29](#)



Article no.		Price £	Price €
55100229*	Suffix * with A - 220V AC B - 110V AC D - 24V DC	£105.20	€131.50

Intrinsically Safe & Explosion Proof also available

## PD100 Smart Valve Positioner [page 30](#)



Article no.	Price £	Price €
420100	£1,942.90	€2,236.70

- 4-20mA input signal & Auto calibration
- Local user interface & LCD display
- Optional features available

## IP67 Inductive Proximity Switch [page 31](#)



Article no.	Price £	Price €
IPSFIT	£283.50	€340.10

- inductive sensor included (555602)
- target puck included (555422)

Optional 2mtr cable with M12 connector

ECV001	£17.70	€21.20
--------	--------	--------

## Double Acting

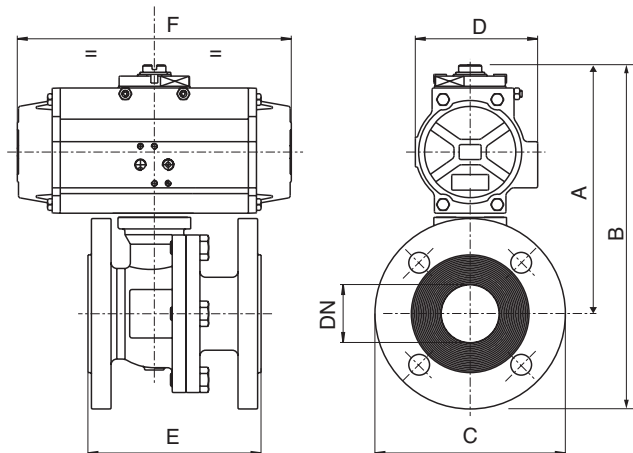
Article no.	Size	Price £	Price €
724504DA	1/2"	£248.90	€256.70
724505DA	3/4"	£292.20	€301.30
724506DA	1"	£348.90	€359.80
724508DA	1 1/2"	£462.00	€476.50
724510DA	2"	£592.50	€611.00
724514DA	3"	£977.40	€1,007.90
724518DA	4"	£1,426.80	€1,471.40
724520DA	6"	£3,568.30	€3,679.80
724521DA	8"	ON REQUEST	

ANSI 300 - ON REQUEST

## Spring Return

Article no.	Size	Price £	Price €
724504SR	1/2"	£300.10	€309.50
724505SR	3/4"	£353.00	€364.00
724506SR	1"	£409.70	€422.50
724508SR	1 1/2"	£612.40	€631.60
724510SR	2"	£682.10	€703.40
724514SR	3"	£1,211.00	€1,248.80
724518SR	4"	£1,570.80	€1,619.90
724520SR	6"	£4,672.30	€4,818.30
724521SR	8"	ON REQUEST	

ANSI 300 - ON REQUEST



## Overall Dimensions - Double Acting

DN	1/2"	3/4"	1"	1 1/2"	2"	2 1/2"	3"	4"	6"	8"
A	136	156	162	196	202	232	257	312	410	483
B	184	206	217	259	277	322	352	427	550	656
C	90	100	110	125	150	180	190	230	280	345
D	60	73	73	85	85	98	110	128	160	175
E	108	117	127	165	178	190	203	229	394	457
F	142	155	155	213	213	236	276	310	388	468
ACT.	AP1	AP2	AP2	AP3	AP3	AP3.5	AP4	AP4.5	AP5.5	AP6

## Overall Dimensions - Spring Return

DN	1/2"	3/4"	1"	1 1/2"	2"	2 1/2"	3"	4"	6"	8"
A	152	156	179	196	212	274	284	325	504	553
B	197	206	234	259	287	364	379	440	644	726
C	90	100	110	125	150	180	190	230	280	345
D	73	73	85	85	98	128	128	140	215	215
E	108	117	127	165	178	190	203	229	394	457
F	155	155	213	213	236	310	310	366	563	563
ACT.	AP2	AP2	AP3	AP3	AP3.5	AP4.5	AP4.5	AP5	AP8	AP8