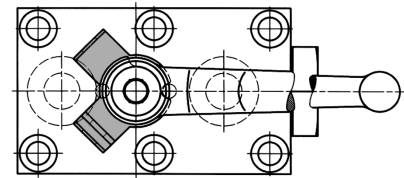
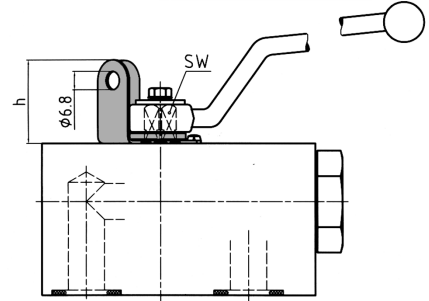
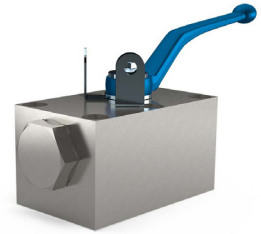


ISIS STANDARD LOCKING DEVICE

- Universal locking device
- Can be mounted to a valve retrospectively
- Economic solution
- Lock fails to work if the lever is removed

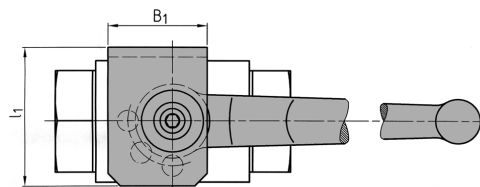
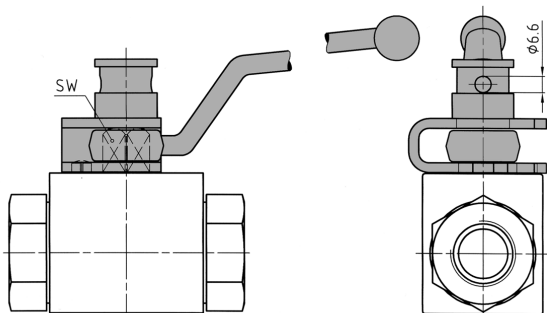
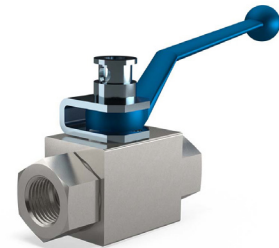
Article no.	DN	Size	h	Additional Prices	
				Price £	Price €
SW7LOCK	6	SW7	28	ON REQUEST	
LOCK	9	SW9	28	ON REQUEST	
LOCK2	14	SW14	34.5	ON REQUEST	
LOCK3	17	SW17	44	ON REQUEST	
PAD	Padlock SW9			ON REQUEST	
PAD2	Padlock SW12-17			ON REQUEST	



UNIVERSAL LOCKING DEVICE

- Can be mounted to a valve retrospectively
- Cannot be dismantled when locked
- High security against malicious disassembly

Article no.	DN	Size	B ₁	l ₁	Additional Prices	
					Price £	Price €
SW9LOCK	4-13	SW9	25	33	ON REQUEST	
SW12LOCK	16	SW12	40	50	ON REQUEST	
SW14LOCK	20-25	SW14	40	56	ON REQUEST	
SW17LOCK	32-50	SW17	50	64	ON REQUEST	
PAD	Padlock SW9				ON REQUEST	
PAD2	Padlock SW12-17				ON REQUEST	



These products are not 'PED Compliant' for use with GAS

Should you have a GAS application please contact our sales office in order that they can check the PED requirements and offer a CE marked suitable product.