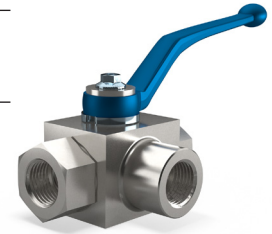


HIGH PRESSURE 3 WAY DIVERTER BALL VALVE BK3 SERIES

315 – 500 BAR Rated - 'L' BORE
Threaded Female BSP Parallel



HIGH PRESSURE BALL VALVES

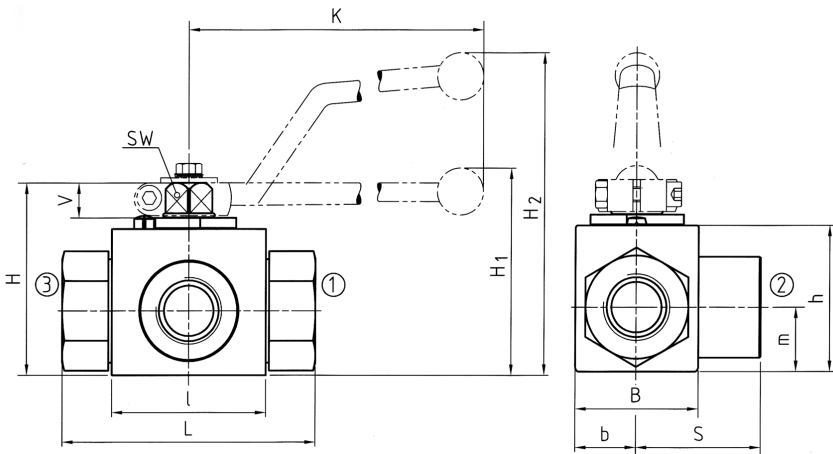
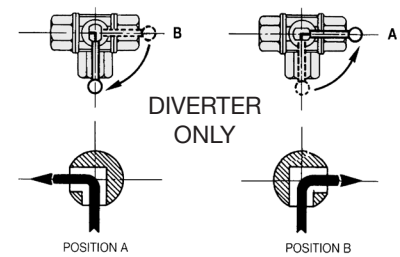
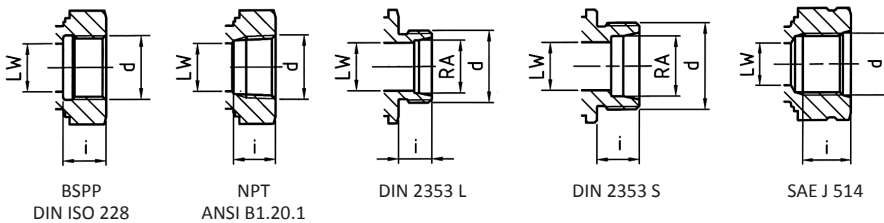
Article no.	Size BSP	Max pressure BAR	Price £	Price €
9104002	1/4"	500	ON REQUEST	
9104003	3/8"	500	ON REQUEST	
9104004	1/2"	500	ON REQUEST	
9104005	3/4"	315	ON REQUEST	
9104006	1"	315	ON REQUEST	
9104007	1 1/4"	350	ON REQUEST	
9104008	1 1/2"	350	ON REQUEST	
9104009	2"	350	ON REQUEST	

Materials

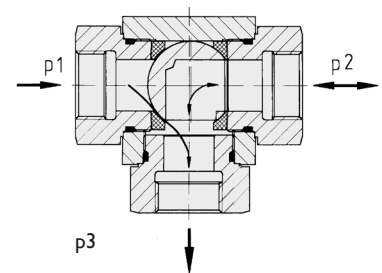
Body	Steel 9SMn28K
Ball	Chromed Steel
Stem Seal	NITRIL (others on request)
Ball Seal	POM-MoS2 (others on request)
Temp. Range	-20 to +100°C
(Open Cross Over Condition)	



Pressure inlet only from the port in the middle!



LEAKAGE PATH DIAGRAM



DIN ISO 228 Female thread (BSP P)

Type	DN	LW	L	I	b	B	H	h	m	S	V	SW	K	i	d	H1	H2	Lever	Weight
BK3-G1/8	4	5	69	40	13	29	47	33	13,5	34,5	11	9	115	10	G1/8	-	82	Zn	0.40
BK3-G1/4	6	6	69	40	13	29	47	33	13,5	34,5	11	9	115	14	G1/4	-	82	Zn	0.46
BK3-G3/8	10	10	72	43	16	35	52	38	17,5	36	11	9	115	14	G3/8	-	86	Zn	0.60
BK3-G1/2	13	13	83	48	17,5	38	54	40	19	41,5	11	9	115	16,3	G1/2	-	89	Zn	0.70
BK3-G5/8	13	13	83	48	17,5	38	54	40	19	41,5	11	9	115	16	G5/8	-	89	Zn	0.70
BK3-G3/4	20	20	95	62	24,5	52	75	57	24,5	47,5	14	14	200	18	G3/4	79	-	Zn	1.80
BK3-G1	25	25	113	66	29	61	83	65	29,5	56,5	14	14	200	20	G1	87	-	Zn	2.40
BK3-G1 1/4	25/32	25	120	66	29	61	83	65	29,5	57	14	14	200	22	G1 1/4	87	-	Zn	2.64
BK3-G1 1/4	32	32	111	81	39	-	106	84,5	39	55	16,5	17	320	22	G 1 1/4	115	-	Al	3.80
BK3-G1 1/2	40	38	130	104	53	-	127	106	53	65	16,5	17	320	24	G 1 1/2	136	-	Al	6.20
BK3-G2	50	48	150	118	58	116	137	116	58	75	16,5	17	320	26	G2	146	-	Al	7.80

These products are not 'PED Compliant' for use with GAS

Should you have a GAS application please contact our sales office in order that they can check the PED requirements and offer a CE marked suitable product.