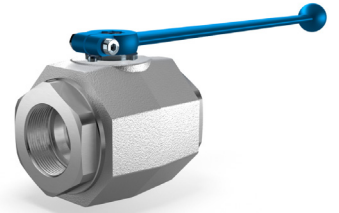


HIGH PRESSURE 2-WAY BALL VALVES CARBON STEEL MKH SERIES

420 BAR Rated/6000 PSI
Threaded Female BSP Parallel/NPT

Also available in Stainless Steel – Please see Stainless Steel section



HIGH PRESSURE BALL VALVES

BSP

Article no.	Size BSP	Price £	Price €
9102007	1 1/4"	ON REQUEST	
9102008	1 1/2"	ON REQUEST	
9102009	2"	ON REQUEST	

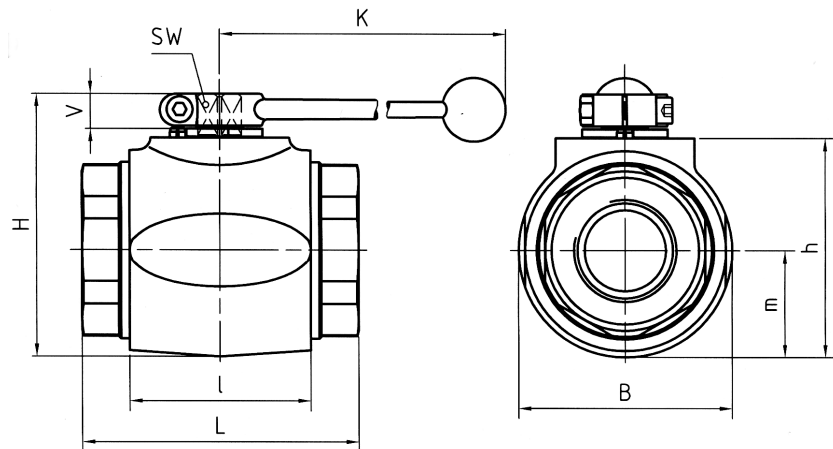
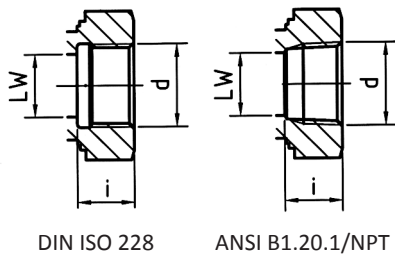
NPT

Article no.	Size NPT	Price £	Price €
102016	1 1/4"	ON REQUEST	
102017	1 1/2"	ON REQUEST	
102018	2"	ON REQUEST	

Materials

Body	Forged Steel ST52-3
Ball	Chromed Steel
Stem Seal	NITRIL
Ball Seal	POM
Temp. Range	-20 to +100°C

Dimensions



DIN ISO 228 Female thread

Type	DN	LW	L	I	B	H	h	m	V	SW	K	i	d	Lever	Weight kg
MKH-G1 1/4	32	32	111	80	81	107	86	40,5	16,5	17	320	22	G1 1/4	Al	3,20
MKH-G1 1/2	40	38	130	85	100	124	103	50	16,5	17	320	24	G1 1/2	Al	5,30
MKH-G2	50	48	140	100	118	138	117	59	16,5	17	320	26	G2	Al	7,50

ANSI B1.20.1 NPT Female thread

Type	DN	LW	L	I	B	H	h	m	V	SW	K	i	d	Lever	Weight kg
MKH-1 1/4" NPT	32	32	120	80	81	107	86	40,5	16,5	17	320	28,3	1 1/4" NPT	Al	3,30
MKH-1 1/2"NPT	40	38	130	85	100	124	103	50	16,5	17	320	28	1 1/2" NPT	Al	5,40
MKH-2"NPT	50	48	140	100	118	138	117	59	16,5	17	320	30,3	2" NPT	Al	7,50

These products are not 'PED Compliant' for use with GAS

Should you have a GAS application please contact our sales office in order that they can check the PED requirements and offer a CE marked suitable product.