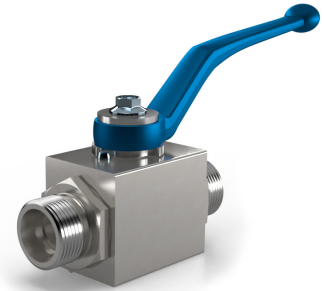


HIGH PRESSURE 2-WAY BALL VALVES CARBON STEEL BKH SERIES COMPRESSION END

Compression Connection – Light Series



WING LEVER
AVAILABLE
ON REQUEST

HIGH PRESSURE BALL VALVES

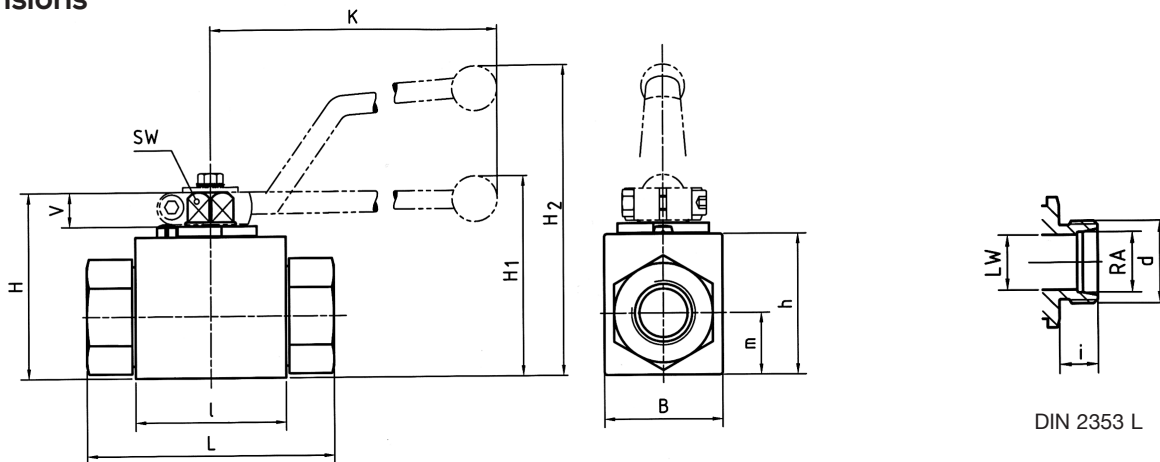
Article no. L series	DN	Size DIN2353-L	Max Pressure BAR	Price £	Price €
BKH6L	4	6L	500	ON REQUEST	
BKH8L	6	8L	500	ON REQUEST	
BKH10L	8	10L	500	ON REQUEST	
BKH12L	10	12L	500	ON REQUEST	
10115L	13	15L	500	ON REQUEST	
BKH18L	13	18L	500	ON REQUEST	
BKH18LDN16	16	18L	420	ON REQUEST	
BKH22L	20	22L	420	ON REQUEST	
BKH28L	25	28L	315	ON REQUEST	
BKH35L	25/32	35L	315	ON REQUEST	
BKH42L	25/40	42L	315	ON REQUEST	

* MAXIMUM PRESSURE IS GOVERNED BY THE FITTING DIN2353.
PLEASE CHECK RATING OF FITTING.

Materials

Body	Steel 11SMn28K - Yellow Zinc Passivated
Ball	Brass - Mirror Finish Chromed
Stem Seal	NITRIL (Others On Request)
Ball Seal	POM-MoS2 (Others On Request)
Temp. Range	-20 to +100°C

Dimensions



DIN 2353 L

Type	DN	RA	LW	L	I	B	H	h	m	V	SW	K	i	d	H1	H2	Weight
BKH- 6L	4	6	5	67	40	26	47	33	13,5	11	9	115	10	M 12x1,5	-	82	0.36
BKH- 8L	6	8	6	67	40	26	47	33	13,5	11	9	115	10	M 14x1,5	-	82	0.37
BKH-10L	8	10	8	74	40	26	47	33	13,5	11	9	115	11	M 16x1,5	-	82	0.38
BKH-12L	10	12	10	74	43	32	52	38	17,5	11	9	115	11	M 18x1,5	-	86	0.50
BKH-15L	13	15	13	82	48	35	54	40	19	11	9	115	12	M 22x1,5	-	89	0.61
BKH-18L	13	18	13	82	48	35	54	40	19	11	9	115	12	M 26x1,5	-	89	0.60
BKH-18L	16	18	15	82	48	38	63	46	19	13	12	160	12	M 26x1,5	-	106	0.75
BKH-22L	20	22	20	101	62	49	75	57	24,5	14	14	200	14	M 30x2	79	-	1.49
BKH-28L	25	28	25	108	66	58	83	65	29,5	14	14	200	14	M 36x2	87	-	2.00
BKH-35L	25/32	35	25	112	66	58	83	65	29,5	14	14	200	16	M 45x2	87	-	2.12
BKH-42L	25/40	42	25	112	66	58	83	65	29,5	14	14	200	16	M 52x2	87	-	2.27

These products are not 'PED Compliant' for use with GAS

Should you have a GAS application please contact our sales office in order that they can check the PED requirements and offer a CE marked suitable product.