



### Materials

Body	1.4408
Ball	1.4408
Stem Seal	PTFE
Ball Seal	PTFE

# CARBON STEEL PN16 FLANGED BALL VALVE WITH PNEUMATIC ACTUATOR

Fire Safe & Anti-static – API607 / BS6755

Full Bore

## Double Acting

Article no.	Size	Price £	Price €
724904DA	1/2"	£248.90	€256.70
724905DA	3/4"	£292.20	€301.30
724906DA	1"	£348.90	€359.80
724907DA	1 1/4"	£392.30	€404.60
724908DA	1 1/2"	£462.00	€476.50
724910DA	2"	£592.50	€611.00
724912DA	2 1/2"	£792.70	€817.50
724914DA	3"	£977.40	€1,007.90
724918DA	4"	£1,426.80	€1,471.40
724919DA	5"	£2,409.30	€2,484.60
724920DA	6"	£3,568.30	€3,679.80
724921DA	8"	£5,611.90	€5,787.30

## Spring Return

Article no.	Size	Price £	Price €
724904SR	1/2"	£300.10	€309.50
724905SR	3/4"	£353.00	€364.00
724906SR	1"	£409.70	€422.50
724907SR	1 1/4"	£488.30	€503.60
724908SR	1 1/2"	£612.40	€631.60
724910SR	2"	£682.10	€703.40
724912SR	2 1/2"	£994.30	€1,025.40
724914SR	3"	£1,211.00	€1,248.80
724918SR	4"	£1,570.80	€1,619.90
724919SR	5"	£2,562.90	€2,643.00
724920SR	6"	£4,672.30	€4,818.30
724921SR	8"	£6,715.90	€6,925.80

Additional cost for actuators supplied fitted with:



### Limit Switch Box [page 28](#)

Article no.		Price £	Price €
SWBOX	IP67 Standard	£68.40	€82.10
SWBOXP	Proximity Switches	£265.60	€318.70
SWBOXIS	Intrinsically Safe Box	£265.60	€318.70
SWBOXEX	Explosion Proof	£288.00	€345.60

### Namur Pilot Solenoid Valve [page 29](#)



Article no.		Price £	Price €
55100229*	Suffix * with A - 220V AC B - 110V AC D - 24V DC	£105.20	€131.50

Intrinsically Safe & Explosion Proof also available

### PD100 Smart Valve Positioner [page 30](#)



Article no.	Price £	Price €
420100	£1,942.90	€2,236.70

- 4-20mA input signal & Auto calibration
- Local user interface & LCD display
- Optional features available

### IP67 Inductive Proximity Switch [page 31](#)



Article no.	Price £	Price €
IPSFIT	£283.50	€340.10

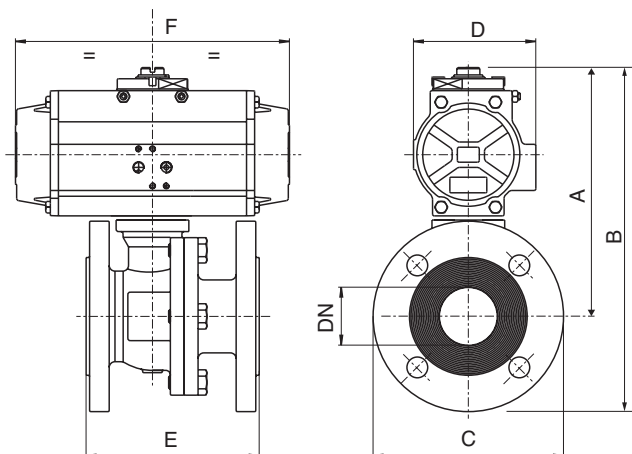
- inductive sensor included (555602)
- target puck included (555422)

Optional 2mtr cable with M12 connector

Article no.	Price £	Price €
ECV001	£17.70	€21.20

PN40 - ON REQUEST

PN40 - ON REQUEST



## Overall Dimensions - Double Acting

DN	15	20	25	32	40	50	65	80	100	150	200
PN	40	40	40	40	40	40	16	16	16	16	16
A	135	156	163	174	196	205	232	257	312	410	483
B	182	209	220	245	271	288	325	357	422	553	653
C	95	105	115	140	150	165	185	200	220	285	340
D	60	73	73	73	85	85	98	110	128	160	175
E	115	120	125	130	140	150	170	180	190	350	400
F	142	155	155	155	213	213	236	276	310	388	468
ACT.	AP1	AP2	AP2	AP2	AP3	AP3	AP3.5	AP4	AP4.5	AP5.5	AP6

## Overall Dimensions - Spring Return

DN	15	20	25	32	40	50	65	80	100	150	200
PN	40	40	40	40	40	40	16	16	16	16	16
A	151	156	179	191	196	215	274	284	325	504	553
B	199	209	237	261	271	298	367	384	435	647	723
C	95	105	115	140	150	165	185	200	220	285	340
D	73	73	85	85	85	98	128	128	140	215	215
E	115	120	125	130	140	150	170	180	190	350	400
F	155	155	213	213	213	236	310	310	366	563	563
ACT.	AP2	AP2	AP3	AP3	AP3	AP3.5	AP4.5	AP4.5	AP5	AP8	AP8