



STAINLESS STEEL 3 WAY BALL VALVE 'L' BORE WITH PNEUMATIC ACTUATOR

1/4" - 1" 1,000 PSI Rated
1 1/4" - 2" 800 PSI Rated

Materials

Body	CF8M - 316 S/S
Ball	316 S/S
Stem Seal	PTFE
Ball Seal	PTFE

Double Acting

Article no.	Size	Price £	Price €
77002702	1/4"	£281.00	€289.80
77002703	3/8"	£281.00	€289.80
77002704	1/2"	£271.80	€280.30
77002705	3/4"	£322.60	€332.70
77002706	1"	£379.40	€391.20
77002707	1 1/4"	£506.20	€522.10
77002708	1 1/2"	£614.70	€633.90
77002710	2"	£877.60	€905.00

Spring Return

Article no.	Size	Price £	Price €
77002902	1/4"	£332.20	€342.60
77002903	3/8"	£332.20	€342.60
77002904	1/2"	£323.00	€333.10
77002905	3/4"	£351.40	€362.40
77002906	1"	£408.20	€420.90
77002907	1 1/4"	£538.20	€555.10
77002908	1 1/2"	£710.70	€732.90
77002910	2"	£967.20	€997.40

Additional cost for actuators supplied fitted with:



Limit Switch Box [page 28](#)

Article no.		Price £	Price €
SWBOX	IP67 Standard	£68.40	€82.10
SWBOXP	Proximity Switches	£265.60	€318.70
SWBOXIS	Intrinsically Safe Box	£265.60	€318.70
SWBOXEX	Explosion Proof	£288.00	€345.60

Namur Pilot Solenoid Valve [page 29](#)



Article no.		Price £	Price €
55100229*	Suffix * with A - 220V AC B - 110V AC D - 24V DC	£105.20	€131.50

Intrinsically Safe & Explosion Proof also available

PD100 Smart Valve Positioner [page 30](#)



Article no.	Price £	Price €
420100	£1,942.90	€2,236.70

- 4-20mA input signal & Auto calibration
- Local user interface & LCD display
- Optional features available

IP67 Inductive Proximity Switch [page 31](#)

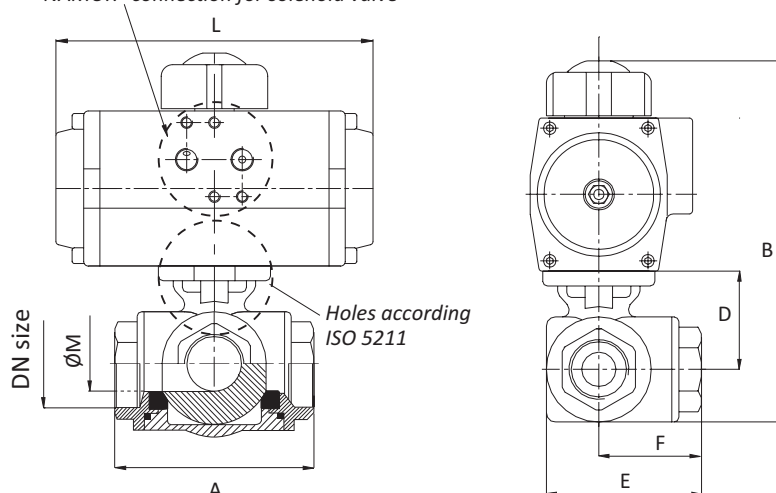


Article no.	Price £	Price €
IPSFIT	£283.50	€340.10

- inductive sensor included (555602)
- target puck included (555422)

Optional 2mtr cable with M12 connector		
Article no.	Price £	Price €
ECV001	£17.70	€21.20

"NAMUR" connection for solenoid valve



Overall Dimensions - Double Acting

Dia Size	Model	A	B	D	E	F	L	ØM	Weight Kg.
1/4"	AP1-DA	72	152.6	42	61.46	36	137	11	1.9
3/8"	AP1-DA	72	152.6	42	61.46	36	137	11	1.87
1/2"	AP1-DA	72	152.6	42	61.46	36	127	11	1.82
3/4"	AP2-DA	83	178	46.5	73.63	41.5	150	16	2.67
1"	AP2-DA	110	192.9	55	84.30	55	150	20	3.28
1 1/4"	AP3-DA	125	204.8	62.5	95.39	62.5	204	25	4.04
1 1/2"	AP3-DA	125	243	74	106.2	62.5	204	32	6.41
2"	AP3.5-DA	149	276	88.3	126.2	75	271	38.1	11.61

Overall Dimensions - Spring Return

Dia Size	Model	A	B	D	E	F	L	ØM	Weight Kg.
1/4"	AP2-SR	75	168.6	42	61.46	36	150	11	2.6
3/8"	AP2-SR	75	168.6	42	61.46	36	150	11	2.57
1/2"	AP2-SR	75	168.6	42	61.46	36	150	12.7	2.52
3/4"	AP3-SR	86	195	46.5	73.63	41.5	204	16	4.43
1"	AP3-SR	110	209.9	55	84.30	55	204	20	5.04
1 1/4"	AP3.5-SR	125	221.8	62.5	95.39	62.5	230	25	5.8
1 1/2"	AP4-SR	125	253	74	106.2	62.5	271	32	8.52
2"	AP4.5-SR	149	313	88.3	126.2	75	305	38.1	15.53