



BRASS 3 WAY BALL VALVE L & T BORE WITH PNEUMATIC ACTUATOR DOUBLE ACTING

30 - 10 BAR Rated

Materials & Temp.

Body Brass Nickel Plated
Ball Chromed Brass
Stem Seal VITON
Ball Seal PTFE
Temp. Range -20°C TO 120°C
* For temperatures above 80°C working pressures are reduced

Double Acting

Article no. L Bore	Article no. T Bore	Size	Max Pressure BAR	Price £	Price €
77003002	77003202	1/4"	30	£135.80	€140.10
77003003	77003203	3/8"	30	£135.80	€140.10
77003004	77003204	1/2"	30	£149.70	€154.30
77003005	77003205	3/4"	30	£182.00	€187.60
77003006	77003206	1"	16	£209.50	€216.10
77003007	77003207	1 1/4"	10	£254.70	€262.60
77003008	77003208	1 1/2"	10	£391.80	€404.00
77003010	77003210	2"	10	£527.10	€543.50

Additional cost for actuators supplied fitted with:



Limit Switch Box [page 28](#)

Article no.		Price £	Price €
SWBOX	IP67 Standard	£68.40	€82.10
SWBOXP	Proximity Switches	£265.60	€318.70
SWBOXIS	Intrinsically Safe Box	£265.60	€318.70
SWBOXEX	Explosion Proof	£288.00	€345.60

Namur Pilot Solenoid Valve [page 29](#)



Article no.	Suffix * with	Price £	Price €
55100229*	A - 220V AC B - 110V AC D - 24V DC	£105.20	€131.50

Intrinsically Safe & Explosion Proof also available

PD100 Smart Valve Positioner [page 30](#)



Article no.	Price £	Price €
420100	£1,942.90	€2,236.70

- 4-20mA input signal & Auto calibration
- Local user interface & LCD display
- Optional features available

IP67 Inductive Proximity Switch [page 31](#)



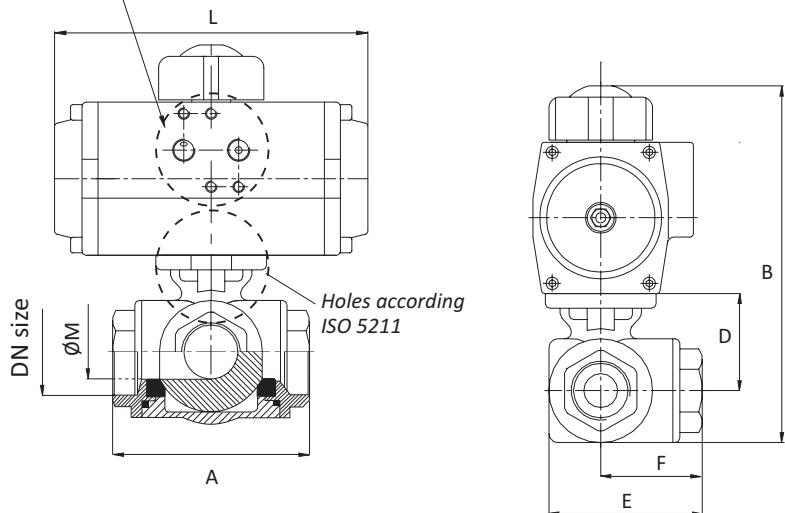
Article no.	Price £	Price €
IPSFIT	£283.50	€340.10

- inductive sensor included (555602)
- target puck included (555422)

Optional 2mtr cable with M12 connector

Article no.	Price £	Price €
ECV001	£17.70	€21.20

"NAMUR" connection for solenoid valve



Size	Model	A	B	D	E	F	L	ØM	Weight
ins									Kg
1/4"	AP0-DA	67	117.5	30.5	53	33.5	110	11	1.14
3/8"	AP0-DA	67	117.5	30.5	53	33.5	110	11	1.11
1/2"	AP0-DA	77	144.2	32.7	60.5	38.5	110	15	1.81
3/4"	AP1-DA	87	173.5	41.5	68	43.5	130	20	2.74
1"	AP1-DA	105	185	47	82.3	52.5	130	25	3.43
1 1/4"	AP2-DA	122.5	203.5	59.5	99.1	61.3	150	32	4.43
1 1/2"	AP2-DA	138.5	241.9	73.9	113.8	69.3	150	40	7.55
2"	AP3-DA	166	265.5	85	139	83	204	49.5	11.57