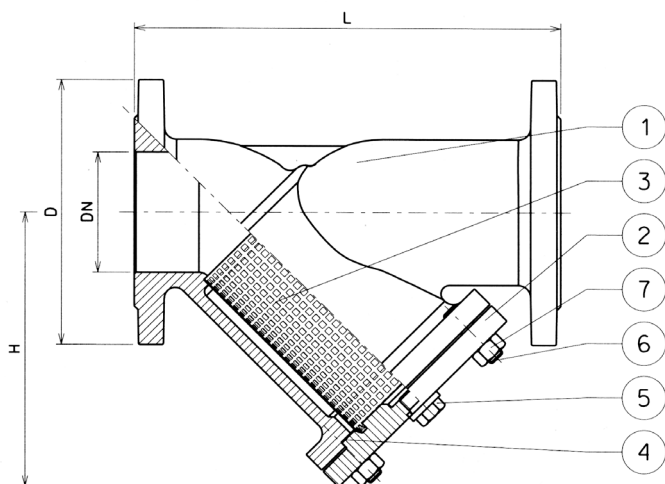
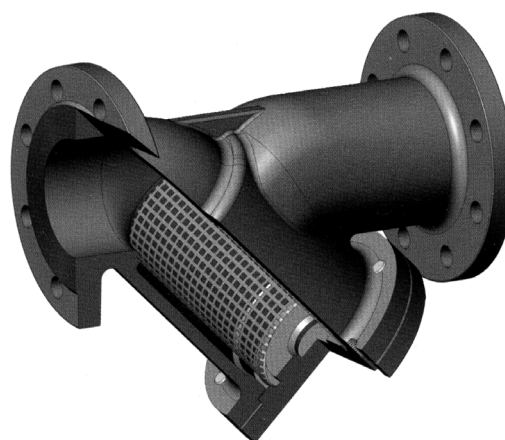
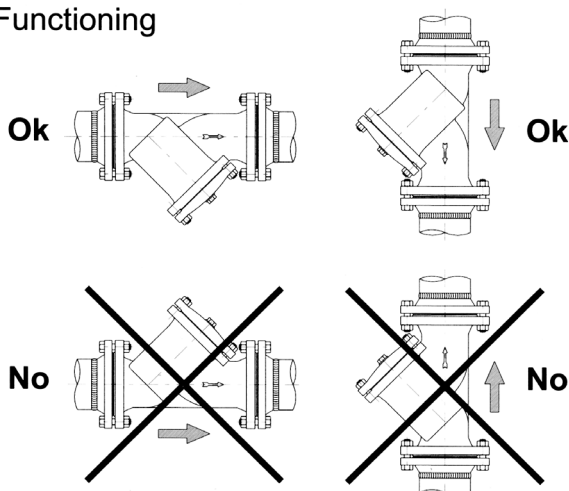


STAINLESS STEEL & CARBON STEEL STRAINERS

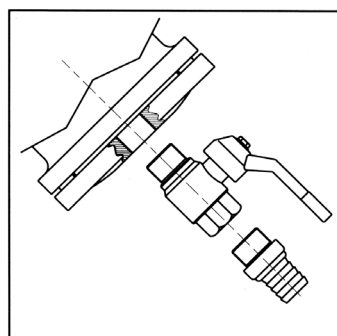


Sediment collecting strainers 'Y' type - PN16/40

Functioning



On request



Materials

Part	Part Name	Art. 500	Art. 503 & 500/I
1	Body	GP 240 GH+N	St Steel AISI 316
2	Cover	ASTM A 105	St Steel AISI 316
3	Screen	St Steel 1.4301	St Steel 1.4401
4	Gasket	Graphite + St Steel	Graphite + St Steel
5	Plug > DN65	Carbon Steel	Stainless Steel
6	Studs	Carbon Steel	Stainless Steel
7	Nuts	Carbon Steel	Stainless Steel

Dimensions (mm)

DN	15	20	25	32	40	50	65	80	100	125	150	200
D (mm)	95	105	115	140	150	165	185	200	235	270	300	375
L (mm)	130	150	160	180	200	230	290	310	350	400	480	600
H (mm)	75	75	100	105	120	135	150	175	230	270	320	380
Kv (m3/h)	4.3	7.5	11.4	18	27.5	41.5	68	100.5	154.5	240	345	623
Kg (Art. 500)	3	3.8	5.6	6.9	8.3	11.4	15.5	22.4	35	50	80	157
Kg (Art. 500/I)	3	3.8	5.6	6.9	8.3	11.4	15.5	22.4	35	50	80	157
Kg (Art. 503)	2	2.6	3	4.5	5.5	7.5	9.9	13.8	19.5	23	29	46

STAINLESS STEEL & CARBON STEEL STRAINERS



Sediment collecting strainers 'Y' type - PN16/40

Article no.	Size	Price £	Price €
MIV50004	1/2"	£197.10	€207.00
MIV50005	3/4"	£221.30	€232.30
MIV50006	1"	£255.90	€268.60
MIV50007	1 1/4"	£297.90	€312.60
MIV50008	1 1/2"	£349.20	€366.60
MIV50010	2"	£440.10	€462.10
MIV50012	2 1/2"	£613.90	€644.60
MIV50014	3"	£739.40	€776.40
MIV50018	4"	£979.20	€1,028.10
MIV50019	5"	£1,809.50	€1,900.00
MIV50020	6"	£2,414.50	€2,535.20
MIV50021	8"	£3,400.90	€3,571.00

ART. 500

PN 40

Manufactured in Carbon Steel



Working Conditions

Temperature °C	-10 / 50	150	200	250	300	350	400
Pressure BAR	40	34.7	30.2	28.4	25.8	24.0	23.1

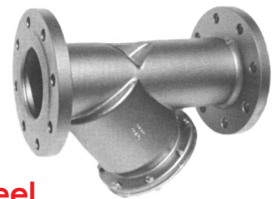
Article no.	Size	Price £	Price €
MIV50304	1/2"	£362.10	€380.20
MIV50305	3/4"	£409.50	€430.00
MIV50306	1"	£429.60	€451.10
MIV50307	1 1/4"	£519.80	€545.70
MIV50308	1 1/2"	£626.00	€657.30
MIV50310	2"	£775.60	€814.40
MIV50312	2 1/2"	£986.40	€1,035.70
MIV50314	3"	£1,407.20	€1,477.60
MIV50318	4"	£1,880.30	€1,974.30
MIV50319	5"	£3,302.80	€3,467.90
MIV50320	6"	ON REQUEST	
MIV50321	8"	ON REQUEST	

ART. 503

PN16 = DN15-DN100 - 1/2" to 4"

PN10 = DN125-DN200 - 5" to 8"

Manufactured in AISI 316 Stainless Steel with Electro-welded Flanges



Working Conditions

Temperature °C	-10 / 50	150	200	250	300	350	400
Pressure BAR	16	13.5	12.4	11.7	11	10.7	10.2