



CARBON STEEL 2 WAY BALL VALVE WITH PNEUMATIC ACTUATOR

350-500 BAR Rated

Double Acting

Article no.	Size	Price £	Price €
90600002	1/4"	£225.50	€232.60
90600003	3/8"	£226.70	€233.80
90600004	1/2"	£250.60	€258.40
90600005	3/4"	£339.90	€350.50
90600006	1"	£357.40	€368.60
90600007	1 1/4"	£571.20	€589.10
90600008	1 1/2"	£616.50	€635.70
90600010	2"	£777.90	€802.20

Spring Return

Article no.	Size	Price £	Price €
90600102	1/4"	£308.70	€318.40
90600103	3/8"	£309.90	€319.60
90600104	1/2"	£311.40	€321.10
90600105	3/4"	£490.30	€505.60
90600106	1"	£507.80	€523.70
90600107	1 1/4"	£728.00	€750.80
90600108	1 1/2"	£773.30	€797.40
90600110	2"	£1,296.30	€1,336.80

Additional cost for actuators supplied fitted with:



Limit Switch Box [page 28](#)

Article no.		Price £	Price €
SWBOX	IP67 Standard	£68.40	€82.10
SWBOXP	Proximity Switches	£265.60	€318.70
SWBOXIS	Intrinsically Safe Box	£265.60	€318.70
SWBOXEX	Explosion Proof	£288.00	€345.60

Namur Pilot Solenoid Valve [page 29](#)



Article no.		Price £	Price €
55100229*	Suffix * with A - 220V AC B - 110V AC D - 24V DC	£105.20	€131.50

Intrinsically Safe & Explosion Proof also available

PD100 Smart Valve Positioner [page 30](#)



Article no.	Price £	Price €
420100	£1,942.90	€2,236.70

- 4-20mA input signal & Auto calibration
- Local user interface & LCD display
- Optional features available

IP67 Inductive Proximity Switch [page 31](#)

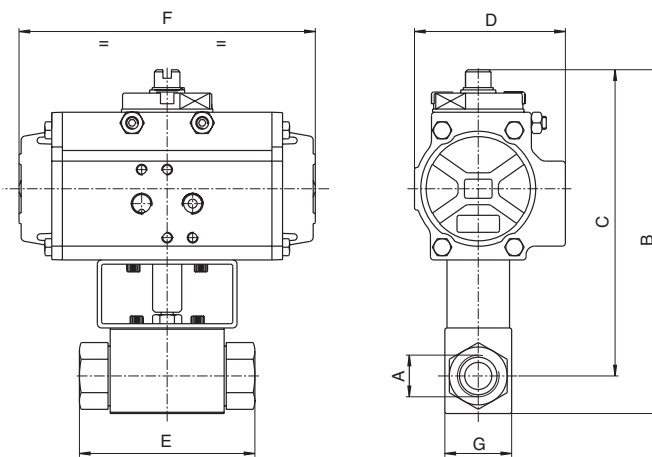


Article no.	Price £	Price €
IPSFIT	£283.50	€340.10

- inductive sensor included (555602)
- target puck included (555422)

Optional 2mtr cable with M12 connector

ECV001	£17.70	€21.20
--------	--------	--------



Valve with Double Acting Actuator

DN/ PN	10/500	13/500	20/400	25/350	32/420	40/420	50/420
A	3/8"	1/2"	3/4"	1"	1 1/4"	1 1/2"	2"
B	168	187	214	222	268	285	329
C	150	168	190	193	227	235	270
D	71	81	95	95	123	123	137
E	72	83	95	113	111	130	140
F	140	162	207	207	272	272	328
G	32	38	49	58	81	100	118
ACT.	AP1	AP2	AP3	AP3	AP4	AP4	AP5

Valve with Spring Return Actuator

DN/ PN	10/500	13/500	20/400	25/350	32/420	40/420	50/420
A	3/8"	1/2"	3/4"	1"	1 1/4"	1 1/2"	2"
B	195	203	239	247	298	315	395
C	178	184	214	217	257	265	336
D	95	95	123	123	137	137	187
E	72	83	95	113	111	130	140
F	207	207	272	272	328	328	522
G	32	38	49	58	81	100	118
ACT.	AP3	AP3	AP4	AP4	AP4.5	AP4.5	AP6