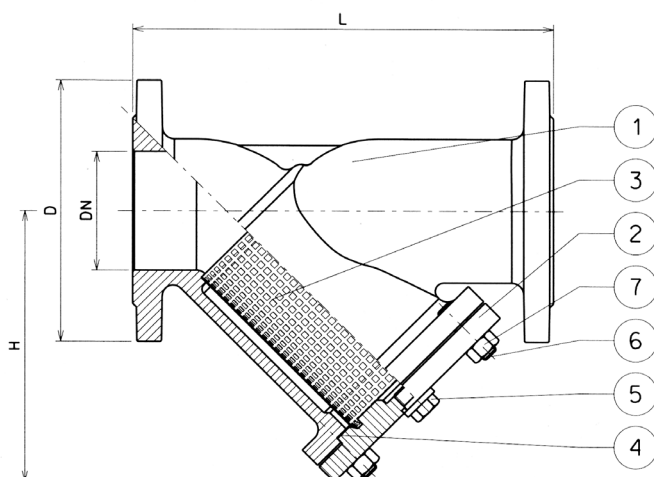
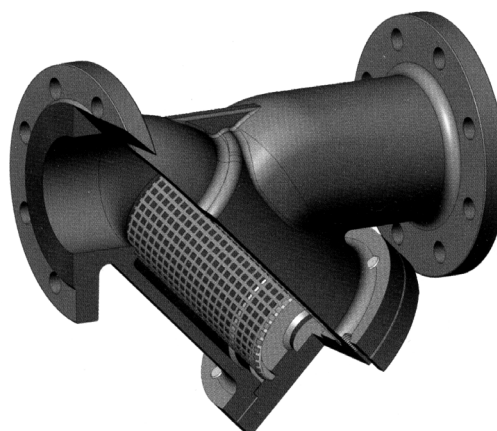
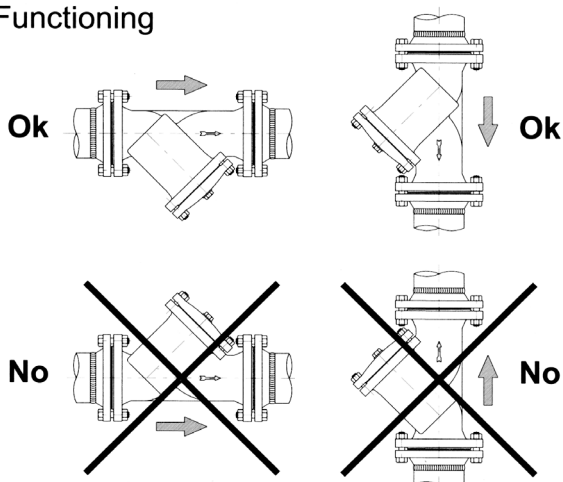


# CAST IRON & NODULAR CAST IRON STRAINERS

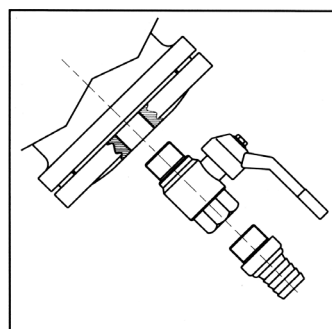


Sediment collecting strainers 'Y' type - PN16-25

Functioning



On request



## Materials

Part	Part Name	Art. 265	Art. 266
1	Body	EN-GJL-250	EN-GJS-400-18-LT
2	Cover	EN-GJL-250	EN-GJS-400-18-LT
3	Screen	St Steel 1.4301	St Steel 1.4301
4	Gasket	Graphite + St Steel	Graphite + St Steel
5	Plug > DN65	Carbon Steel	Carbon Steel
6	Studs	Carbon Steel	Carbon Steel
7	Nuts	Carbon Steel	Carbon Steel

## Dimensions (mm)

DN	15	20	25	32	40	50	65	80	100	125	150	200	250	300
D (mm)	95	105	115	140	150	165	185	200	220	250	285	340	405	460
L (mm)	130	150	160	180	200	230	290	310	350	400	480	600	730	850
H (mm)	75	75	90	90	110	120	140	165	220	260	300	360	470	560
Kv (m3/h)	5.3	9.5	16.5	20	33	54	95	140	201	340	526	870	1260	1735
Kg (Art. 265)	2.4	3	3.8	5.2	6.8	9	11.8	16.8	25.2	37	58	112	162	195
Kg (Art. 266 PN16)	2.6	3.4	4	5.8	7.2	9.6	13.6	17	27.6	37.2	56.6	124	160.8	189
Kg (Art. 266 PN25)	2.6	3.4	4	5.8	7.2	9.6	13.2	17.8	29	39.6	58.6	128	168	195

# CAST IRON & NODULAR CAST IRON STRAINERS

Sediment collecting strainers 'Y' type – PN16-25



Article no.	Size	Price £	Price €
MIV26504	1/2"	£81.30	€85.30
MIV26505	3/4"	£90.10	€94.60
MIV26506	1"	£94.10	€98.80
MIV26507	1 1/4"	£111.80	€117.40
MIV26508	1 1/2"	£129.50	€136.00
MIV26510	2"	£152.90	€160.50
MIV26512	2 1/2"	£197.10	€207.00
MIV26514	3"	£253.40	€266.10
MIV26518	4"	£356.40	€374.20
MIV26519	5"	£509.30	€534.80
MIV26520	6"	£828.70	€870.10
MIV26521	8"	£1,615.60	€1,696.40
MIV26522	10"	£3,018.80	€3,169.70
MIV26524	12"	£5,010.10	€5,260.60

Article no.	Size	Price £	Price €
MIV26604	1/2"	£101.40	€106.40
MIV26605	3/4"	£113.40	€119.10
MIV26606	1"	£120.70	€126.70
MIV26607	1 1/4"	£141.60	€148.70
MIV26608	1 1/2"	£185.90	€195.10
MIV26610	2"	£221.30	€232.30
MIV26612	2 1/2"	£296.10	€310.90
MIV26614	3"	£383.00	€402.10
MIV26618	4"	£643.70	€675.80
MIV26619	5"	£959.90	€1,007.80
MIV26620	6"	£1,388.70	€1,458.10
MIV26621	8"	£2,508.70	€2,634.10
MIV26622	10"	£4,326.20	€4,542.50
MIV26624	12"	£7,058.50	€7,411.40

Article no.	Size	Price £	Price €
MIV26612PN25	2 1/2"	£315.40	€331.20
MIV26614PN25	3"	£383.00	€402.10
MIV26618PN25	4"	£663.00	€696.10
MIV26619PN25	5"	£983.20	€1,032.30
MIV26620PN25	6"	£1,435.40	€1,507.10
MIV26621PN25	8"	£2,544.10	€2,671.30
MIV26622PN25	10"	£4,368.80	€4,587.30
MIV26623PN25	12"	£7,097.90	€7,452.80

## ART. 265

PN 16

Manufactured in Cast Iron



### Working Conditions

Temperature °C	-10 / 50	150	200	250	300
Pressure BAR	16	14.4	12.8	11.2	9.6

## ART. 266

PN 16

Manufactured in Nodular Cast Iron



### Working Conditions

Temperature °C	-10 / 50	150	200	250	300	350
Pressure BAR	16	15.5	14.7	13.9	12.8	11.2

## ART. 266

PN 25

Manufactured in Nodular Cast Iron



### Working Conditions

Temperature °C	-10 / 50	150	200	250	300	350
Pressure BAR	25	24.3	23	21.8	20	17.5