

olivervalves

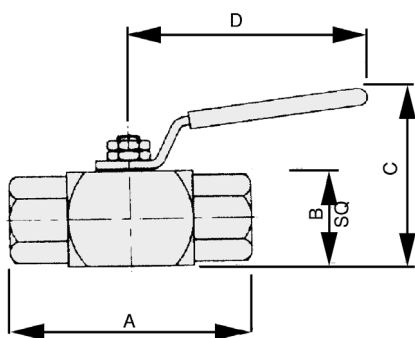
Materials

Body	316 Stainless Steel
Stem	316 Stainless Steel
Stem Seal	PTFE
Ball Seal	Teflon / kel-F
Temp. Range	-40 to +120°C
Lever	316 Stainless Steel (With Plastic Cover)

316 STAINLESS STEEL 2 WAY BALL VALVES

700 BAR / 10000 PSI Rated

Article no. NPT	Size NPT	Price £	Price €
947005	1/4"	£67.00	€80.40
947006	3/8"	£64.80	€77.80
947007	1/2"	£70.90	€85.10
Article no. BSP	Size BSP		
947005BP	1/4"	£67.00	€80.40
947006BP	3/8"	£64.80	€77.80
947077	1/2"	£70.90	€85.10
ACCESSORIES - ADDITIONAL COST			
NACE MR-01-75 COMPLIANT		FOC	FOC
LOCKING LEVER		£17.60	€22.00
PADLOCK FOR LOCKING LEVER		£19.20	€24.00
PANEL MOUNTING WITH ETD LEVER		£32.00	€40.00



Dimensions (mm)

Size	PART NO FxF	Bore Size mm	A	B	C	D	Max Temp °C	Weight kg
1/4"	947005	10	60	31.75	63.50	84	200	0.4
3/8"	947006	10	60	31.75	63.50	84	200	0.4
1/2"	947007	10	86	31.75	63.50	84	200	0.5

BALL VALVE OPTIONS

Handle Locking Option

Valves can be locked in either the open or closed position with padlock available.
Suffix / HL.
Note: Padlock is extra.
Suffix / PAD.

Panel Mount Option

For all three piece ball valve body sizes this simple, and cost effective handle solution is a clear advantage.
Suffix / PM.

Firesafe/anti-static Option

Tested to BS6755 part 2, these valves have body and stem seals in fire resistant graphite. The metal lip seat is designed to ensure leak free seating when the seats burns in fire conditions.
The spindle disc springs ensure a positive leak-free gland.



**Also available
Double Block &
Bleed Valves**

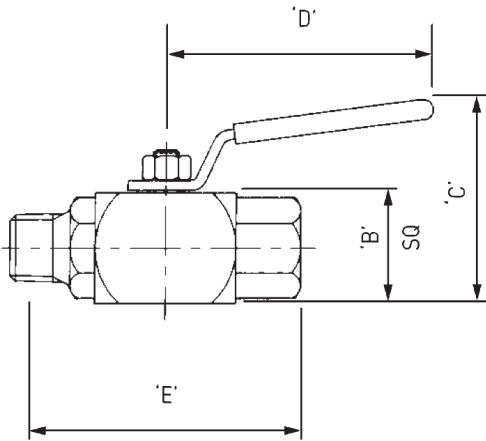


316 STAINLESS STEEL 2 WAY BALL VALVES

oliver valves

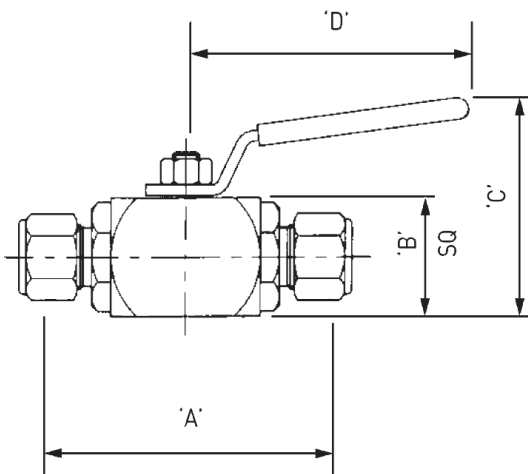
STAINLESS STEEL BALL VALVES

Male x Female Threaded Ends



Integral Twin Ferrule Compression Ends

As standard not supplied with nuts and ferrules.
Suffix / NF (nuts and ferrules).



Style	Size	Max pressure (at 20°C)	Article no.	Bore size		Dimensions					Max temp °C	Weight kg	CV
				mm	in	A	B	C	D	E			
Twin ferrule compression fitting (Tube O.D.)	6mm	6000	B6BIX6mmS	10	0.40	3.97	1.25	2.50	3.31	-	200	0.4	1.1
	10mm	6000	B6BIX10mmS	10	0.40	3.97	1.25	2.50	3.31	-	200	0.4	1.1
	12mm	6000	B6BIX12mmS	10	0.40	4.13	1.25	2.50	3.31	-	200	0.4	1.1
	1/4"	6000	B6BIX25S	10	0.40	3.88	1.25	2.50	3.31	-	200	0.4	1.1
	3/8"	6000	B6BIX38S	10	0.40	3.88	1.25	2.50	3.31	-	200	0.4	1.1
	1/2"	6000	B6BIX50S	10	0.40	4.13	1.25	2.50	3.31	-	200	0.4	1.1