



STAINLESS STEEL BALL VALVE 2 PIECE FULL BORE 2000 PSI RATED

2,000 PSI Rated up to 1"

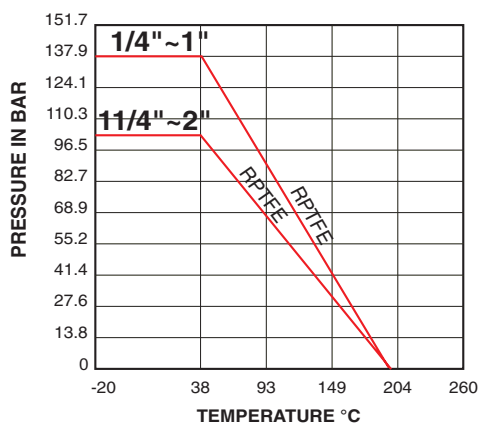
1,450 PSI Rated 1 1/4" - 2"

Threaded Female BSP Parallel/NPT

Materials

Body	Investment Cast SS CF8M (316)
Ball	316 SS- Mirror Finish
Stem Seal	RPTFE
Ball Seal	RPTFE
Temp. Range	see graph
Handle	304 SS Lockable

Pressure Vs. Temperature Chart



BSP

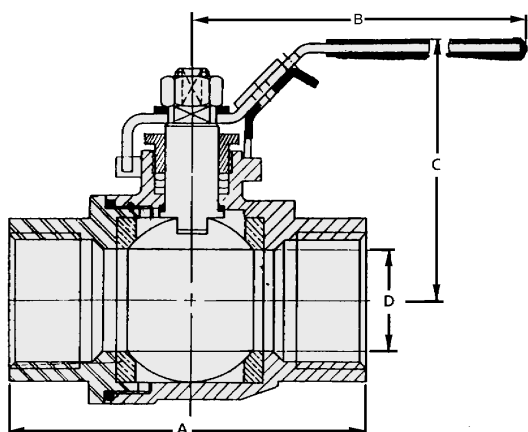
Article no.	Size BSP	Max Pressure BAR	Valve bore	Price £	Price €
9103020	1/4"	140	10	£37.10	€44.60
9103021	3/8"	140	10	£38.20	€45.80
9103022	1/2"	140	15	£44.60	€53.50
9103023	3/4"	140	20	£57.60	€69.10
9103024	1"	140	25	£80.00	€96.00
9103025	1 1/4"	100	32	£105.30	€126.40
9103026	1 1/2"	100	38	£149.80	€179.80
9103027	2"	100	50	£216.50	€259.70

3.1 Material and test certification available for this series

NPT

Article no.	Size NPT	Max Pressure BAR	Valve bore	Price £	Price €
103020N40	1/4"	140	10	£40.90	€49.00
103021N40	3/8"	140	12	£42.00	€50.40
103022N40	1/2"	140	15	£49.00	€58.80
103023N40	3/4"	140	20	£63.30	€76.00
103024N40	1"	140	25	£88.00	€105.60
103025N40	1 1/4"	100	32	£115.80	€139.00
103026N40	1 1/2"	100	38	£164.80	€197.80
103027N40	2"	100	50	£238.10	€285.70

Padlock	Price £	Price €
PAD	£12.80	€13.20



Dimensions (mm)

BSP	A	B	C	D	kg
1/4"	55	100	50	11.6	0.23
3/8"	55	100	50	12.7	0.23
1/2"	65	130	60	15	0.38
3/4"	74	130	64	20	0.52
1"	88	165	71	25	0.92
1 1/4"	102	165	78	32	1.32
1 1/2"	110	190	86	38	1.90
2"	125	190	95	50	3.12