

STAINLESS STEEL 2-PIECE BALL VALVE WITH PNEUMATIC ACTUATOR SPRING RETURN

1,000 PSI Rated



PNEUMATIC ACTUATED VALVES

Spring Return

Article no.	Size	Price £	Price €
70008302	1/4"	£203.20	€209.60
70008303	3/8"	£203.20	€209.60
70008304	1/2"	£203.20	€209.60
70008305	3/4"	£206.20	€212.60
70008306	1"	£273.10	€281.60
70008307	1 1/4"	£333.60	€344.00
70008308	1 1/2"	£407.90	€420.70
70008310	2"	£539.00	€555.90
70008312	2 1/2"	£805.50	€830.70
70008314	3"	£1,098.60	€1,132.90

Materials

Body	CF8M - 316 S/S
Ball	316 S/S
Stem Seal	PTFE
Ball Seal	PTFE

Additional cost for actuators supplied fitted with:



Limit Switch Box [page 28](#)

Article no.		Price £	Price €
SWBOX	IP67 Standard	£68.40	€82.10
SWBOXP	Proximity Switches	£265.60	€318.70
SWBOXIS	Intrinsically Safe Box	£265.60	€318.70
SWBOXEX	Explosion Proof	£288.00	€345.60

Namur Pilot Solenoid Valve [page 29](#)



Article no.		Price £	Price €
55100229*	Suffix * with A - 220V AC B - 110V AC D - 24V DC	£105.20	€131.50

Intrinsically Safe & Explosion Proof also available

PD100 Smart Valve Positioner [page 30](#)

Article no.	Price £	Price €
420100	£1,942.90	€2,236.70

- 4-20mA input signal & Auto calibration
- Local user interface & LCD display
- Optional features available

IP67 Inductive Proximity Switch [page 31](#)

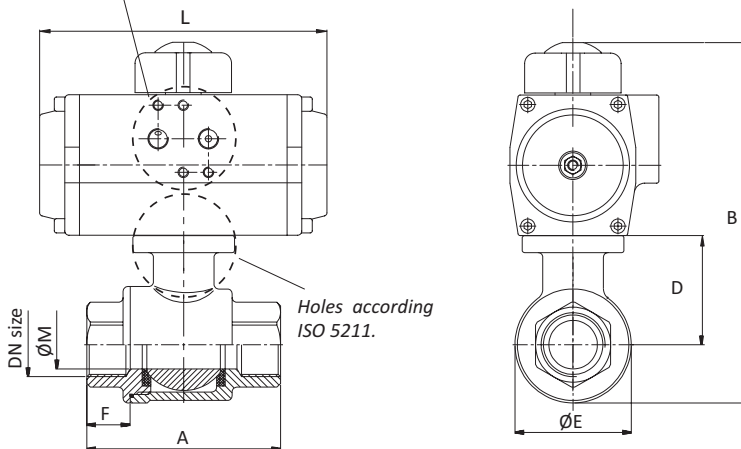
Article no.	Price £	Price €
IPSFIT	£283.50	€340.10

- inductive sensor included (555602)
- target puck included (555422)

Optional 2mtr cable with M12 connector

ECV001	£17.70	€21.20
--------	--------	--------

"NAMUR" connection for solenoid valve.



Overall Dimensions - Spring Return

Dia mm	Size ins.	Model	A	B	D	ØE	F	L	ØM	WEIGHT Kg.
8	1/4"	AP1-SR	65	144.2	36	32.4	9.6	137	11	1.6
10	3/8"	AP1-SR	65	144.2	36	32.4	9.6	137	12.7	1.6
15	1/2"	AP1-SR	65	147.3	38	34.6	12	137	15	1.63
20	3/4"	AP1-SR	74.5	171.7	41.7	43.9	19	137	20	2.5
25	1"	AP2-SR	88.5	177.6	44.4	50.3	19.5	150	25	2.65
32	1 1/4"	AP3-SR	102	210.3	54	62.6	20.3	204	32	4.75
40	1 1/2"	AP3.5-SR	110	221.6	59.5	74.1	24.5	230	40	5.3
50	2"	AP3.5-SR	125	246.5	67	89.1	29	230	50	7.75
65	2 1/2"	AP4-SR	160	309.9	101.5	116.7	34.5	271	65	13.95
80	3"	AP4.5-SR	178	362.9	112.5	140.7	40	305	80	24.5