

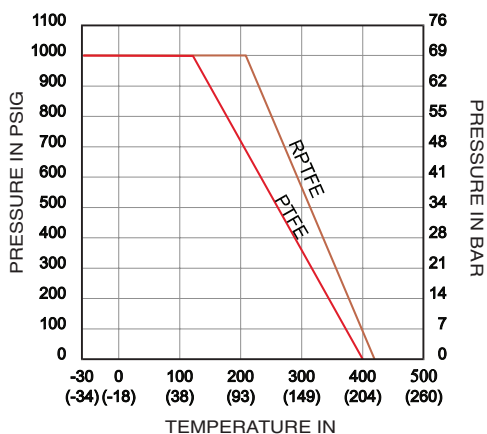
STAINLESS STEEL BALL VALVE 1 PIECE REDUCED BORE

800 PSI Rated

Materials

Body	Investment Cast SS Cf8m (316)
Ball	316 SS - Mirror Finish
Stem Seal	PTFE
Ball Seal	PTFE
Temp. Range	see graph
Handle	304 Stainless Steel Lockable

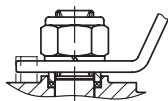
Pressure Vs. Temperature Chart



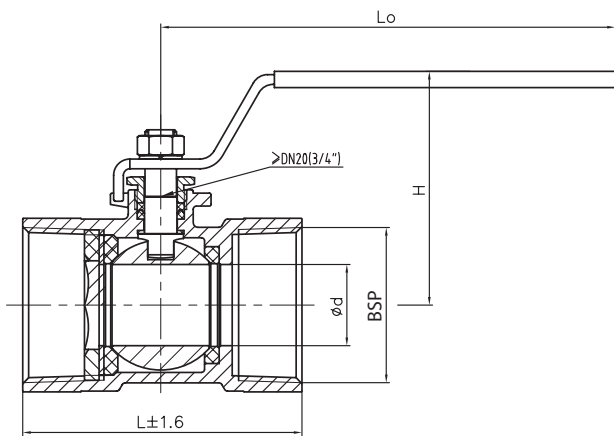
Article no. BSP	Size BSP	Max Pressure BAR	Price £	Price €
901031	1/4"	55	£13.70	€16.40
901032	3/8"	55	£15.70	€18.80
901033	1/2"	55	£17.60	€21.10
901034	3/4"	55	£20.70	€24.80
901035	1"	55	£29.50	€35.40
901036	1 1/4"	55	£44.60	€53.50
901037	1 1/2"	55	£56.10	€67.30
901038	2"	55	£80.50	€96.50

Article no. NPT	Size BSP	Max Pressure BAR	Price £	Price €
901031N	1/4"	55	£15.10	€18.10
901032N	3/8"	55	£17.30	€20.70
901033N	1/2"	55	£19.40	€23.20
901034N	3/4"	55	£22.70	€27.30
901035N	1"	55	£32.50	€39.00
901036N	1 1/4"	55	£49.00	€58.80
901037N	1 1/2"	55	£61.70	€74.00
901038N	2"	55	£88.50	€106.20

Padlock	Price £	Price €
PAD	£12.80	€13.20



DN8(1/2")-15(3/4")



Dimensions (mm)

BSP	L	ød	Lo	H	kg
1/4"	40	5	70	33.5	0.07
3/8"	45	7	70	35	0.11
1/2"	55	9	80	39	0.17
3/4"	60	11.5	95	49	0.25
1"	70	15	105	54	0.40
1 1/4"	80	19.5	120	65.5	0.67
1 1/2"	86	25	140	72	0.82
2"	101	32	150	81	1.35