



Series S.84W - 'WRAS' Approved Potable Water Hot Forged Brass Ball Valve

Full port to DIN 3357 for max flow

Legionella is a bacterium that lives and proliferates in natural and artificial aquatic environments at temperatures ranging between 5.7°C & 55°C and standing up to acidic & alkaline environments. New s.84W is approved for use with drinking water; the specific ball design avoids water stagnation & the spread of bacteria in the system.

Working pressure & temperature

- 40 Bar (600 PSI) non-shock cold working pressure
- DIN-EN 13828 limitations for potable water: 10 bar (Kg/cm²) non- shock cold working pressure and +65°C temperature (occasional excursions up to 90°C are permitted for a period of 1h maximum)
- -40°C / +150°C
- **WARNING:** freezing of the fluid in the installation may severely damage the valve

PED directive

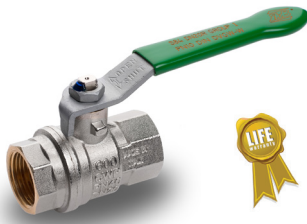
- According to 2014/68/UE module A: it cannot be used with dangerous gases in sizes larger than 25mm

Approved by or in compliance with:

- DVGW (Deutschland)
- Water Regulations Advisory Scheme (UK)
- GOST-R (Russia)
- EAC – Declaration of conformity (Russia-Kazakhstan-Belarus)
- Attestation de Conformité Sanitaire (France)
- RoHS Compliant (EU)



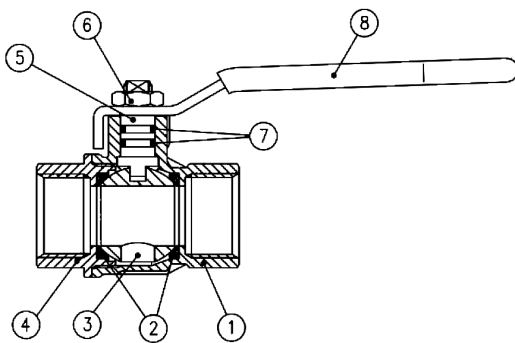
NOTE: approvals apply to specific configurations/sizes only.



Limit Switch

| Article No. | | Price £ | Price € |
|-------------------|-------------------|----------------|----------------|
| suffix/LS | 1 switch fitted | £95.60 | €114.70 |
| suffix/LS2 | 2 switches fitted | £131.60 | €157.90 |
| LS | switch loose | £41.20 | €49.40 |
| LSB | bracket only | £65.60 | €78.70 |

| Article no. | Size | Max Pressure BAR | Price £ | Price € |
|----------------|--------|------------------|----------------|----------------|
| S84B00W | 1/4" | 40 | £11.90 | €12.30 |
| S84C00W | 3/8" | 40 | £11.90 | €12.30 |
| S84D00W | 1/2" | 40 | £14.00 | €14.50 |
| S84E00W | 3/4" | 40 | £19.30 | €19.90 |
| S84F00W | 1" | 40 | £31.20 | €32.10 |
| S84G00W | 1 1/4" | 40 | £51.20 | €52.70 |
| S84H00W | 1 1/2" | 40 | £63.50 | €65.40 |
| S84I00W | 2" | 40 | £100.40 | €103.50 |



Materials

| Description | Material |
|---|----------|
| 1 Nickel plated body (external treatment) | CW617N |
| 2 Seat | PTFE |
| 3 Chrome plated ball with rinse hole (rinse hole on sizes from 3/4" up to 2") | CW617N |
| 4 Nickel plated end-cap (external treatment) | CW617N |
| 5 Nickel plated stem O-ring design | CW617N |
| 6 Geomet® nut | CB4FF |
| 7 O-Ring | EPDM |
| 8 Green PVC coated Geomet® steel handle | DD11 |

Dimensions

| D | inch | 1/4" | 3/8" | 1/2" | 3/4" | 1" | 1 1/4" | 1 1/2" | 2" |
|-----------|------|------|------|------|------|------|--------|--------|------|
| DN | mm | 8 | 10 | 15 | 20 | 25 | 32 | 40 | 50 |
| I | mm | 12 | 12 | 15.5 | 17 | 21 | 23 | 23 | 26.5 |
| L | mm | 45 | 45 | 59 | 64 | 81 | 93 | 102 | 121 |
| G | mm | 22.5 | 22.5 | 29.5 | 32 | 40.5 | 46.5 | 51 | 60.5 |
| A | mm | 82 | 82 | 100 | 120 | 120 | 158 | 158 | 158 |
| H | mm | 38 | 38 | 43 | 50 | 54 | 73 | 79 | 86 |
| CH | mm | 20 | 20 | 25 | 31 | 40 | 49 | 54 | 68.5 |
| KV | M3/h | 3.9 | 8.2 | 28 | 36 | 62 | 79 | 124 | 178 |

