

Series BSPT Full Bore Nickel Plated Brass Ball Valves

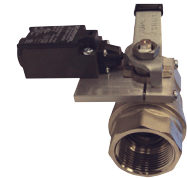
Temp **-20°C – 170°C**
ISO7/1 BS21 BSP TAPER
Silicon Free
40 - 25 Bar Rated

APPROVED BY



BRASS & BRONZE BALL VALVES

Article no.	Size	Max Pressure BAR	Price £	Price €
9014T	1/4"	40	£6.00	€7.80
9038T	3/8"	40	£5.40	€7.10
9012T	1/2"	40	£8.00	€10.40
9034T	3/4"	40	£11.90	€15.50
9010T	1"	40	£18.60	€24.20
90114T	1 1/4"	40	£30.70	€39.90
90112T	1 1/2"	40	£40.90	€53.20
9020T	2"	40	£66.40	€86.40
90212T	2 1/2"	25	£121.20	€157.60
9030T	3"	25	£162.00	€210.50

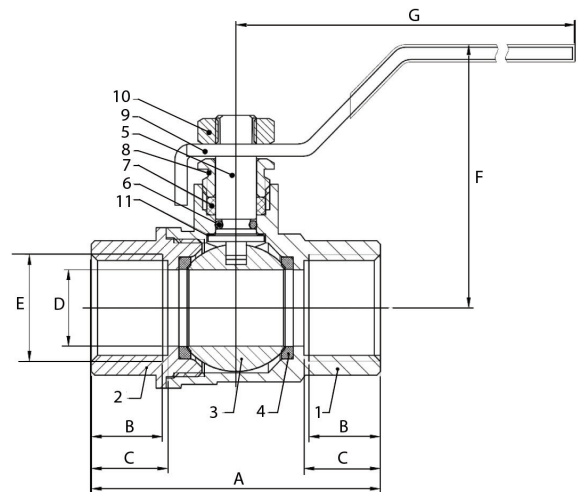


Limit Switch

Article No.		Price £	Price €
suffix/LS	1 switch fitted	£95.60	€114.70
suffix/LS2	2 switches fitted	£131.60	€157.90
LS	switch loose	£41.20	€49.40
LSB	bracket only	£65.60	€78.70

Materials

Description	Material
1 BODY:	CW617N Brass Nickel Plated
2 BONNET:	CW617N Brass Nickel Plated
3 BALL:	CW617N Brass Chrome Plated (Polished)
4 SEAT:	PTFE
5 STEM:	CW617N Brass Nickel Plated
6 O-RING:	VITON
7 PACKING:	PTFE
8 LOCK NUT:	HPb57-3 Brass
9 HANDLE:	Q235 Chrome Plated and PVC Sleeve
10 NUT:	Stl/Stl (White Zinc Plating)
11 GASKET:	PTFE



Dimensions

	inch	1/4"	3/8"	1/2"	3/4"	1"	1 1/4"	1 1/2"	2"	2 1/2"	3"
E	mm	8	10	15	20	25	32	40	50	65	80
DN	mm	45	45	56.7	67	77	88	99.3	121	146	168
A	mm	10	10	14	16.5	18	18.5	19.5	24.5	29	34.8
B	mm	11.5	11.5	15	18	19.5	20	21	26.5	31	36.8
C	mm	10	10	14.5	19	25	32	40	49	60	73
ØD	mm	41.2	41.2	48	55	55	80	87	92	122	132
F	mm	80	80	88	100	125	140	140	165	225	225
G		40	40	40	40	40	40	40	40	25	25
PN	kg	142	162	210	315	476	730	980	1586	3150	4070
Weight											

NOTE: 1/4" and 3/8" are NOT approved