



Bronze Globe Valve - GV32B

32 BAR Rated

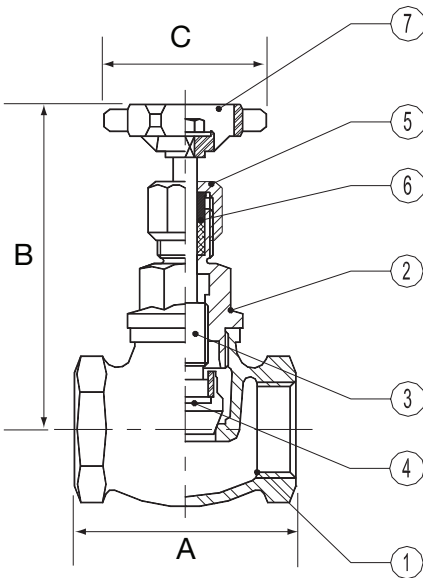
GV32B bronze in line stop valves, screwed type for use on steam, water, oil or air applications.

Features	Rising stem PTFE renewable disk High quality PTFE packing
Use	Saturated steam, condensate, water, oil, compressed air and other fluids compatible with the construction.
Connections	Female screwed ISO7/1 Rp (BS21)

Article no.	Size	Price £	Price €
BSP			
444899	1/2"	£62.80	€64.70
551259	3/4"	£75.80	€78.20
551260	1"	£114.80	€118.40
551261	1 1/4"	£149.80	€154.40
551262	1 1/2"	£190.70	€196.60
551263	2"	£285.50	€294.40

Materials

1	Valve Body	Bronze
2	Bonnet	Forged brass
3	Stem	Brass
4	Disk	Glass filled PTFE
5	Disk nut	Brass
6	Packing	PTFE
7	Handwheel	Aluminium



Dimensions

Size	A	B	C	Weight Kg
1/2"	57	95	75	0.39
3/4"	65	98	75	0.55
1"	78	114	85	0.85
1 1/4"	89	138	95	1.36
1 1/2"	100	159	105	1.76
2"	121	170	120	2.62

Flow Rate Coefficients

	1/2"	3/4"	1"	1 1/4"	1 1/2"	2"
Kvs	2	5	10	16	23	42

Kvs in m³/h, see data sheet IS PV10.00 E ;
For conversion Kvs = Cv(US) x 0,855

Limiting Conditions

Body design conditions: PN32
198°C at 14 bar
100°C at 32 bar