

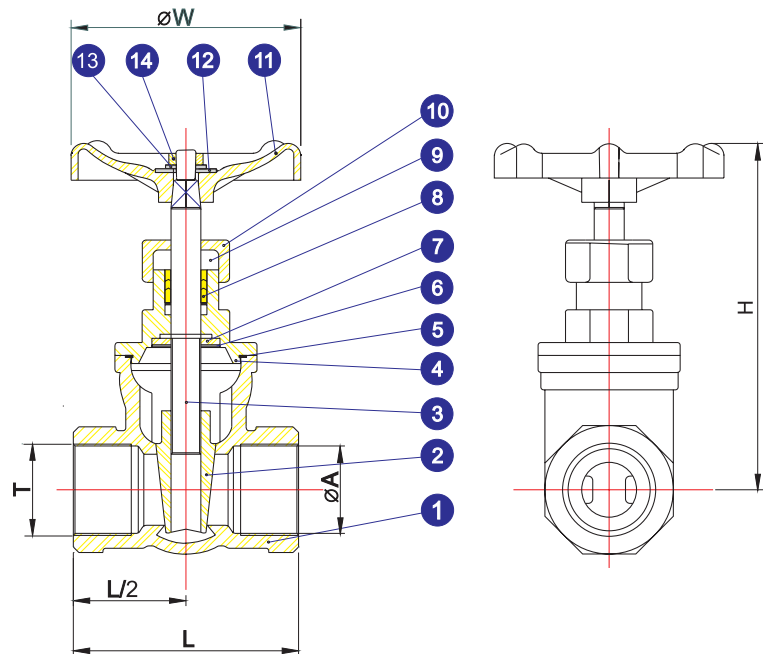
## 316 Stainless Steel Gate Valves

### 200 PSI RATED - BSPT

Article no.	Size BSPT	Max Pressure PSI	Price £	Price €
10042	1/2"	200	ON REQUEST	
10043	3/4"	200	ON REQUEST	
10044	1"	200	ON REQUEST	
10045	1 1/4"	200	ON REQUEST	
10046	1 1/2"	200	ON REQUEST	
10047	2"	200	ON REQUEST	

### Materials

1	Body	ASTM A351 Gr. CF8M
2	Disc	SS 316
3	Stem	SS 316
4	Bonnet	ASTM A351 Gr. CF8M
5	Gasket packing	Teflon
6	Stop ring	SS 304
7	Stem holder	SS 316
8	Stem packing	Teflon
9	Gland	SS 304
10	Gland nut	SS 316
11	Hand wheel	Micro steel
12	Name plate	Aluminium
13	Handle wheel washer	SS 304
14	Handle wheel nut	SS 304



### Dimensions

Size	$\varnothing A$	L	H	$\varnothing W$	T	Weight Kg
1/2"	15	55	95	70	1/2" - NPT.PF	0.42
3/4"	20	60	102	70	3/4" - NPT.PF	0.53
1"	25	65	115	80	1" - NPT.PF	0.70
1 1/4"	32	75	127	80	1 1/4" - NPT.PF	1.10
1 1/2"	38	85	150	90	1 1/2" - NPT.PF	1.50
2"	50	95	170	100	2" - NPT.PF	2.10