

# Clamps & Brackets

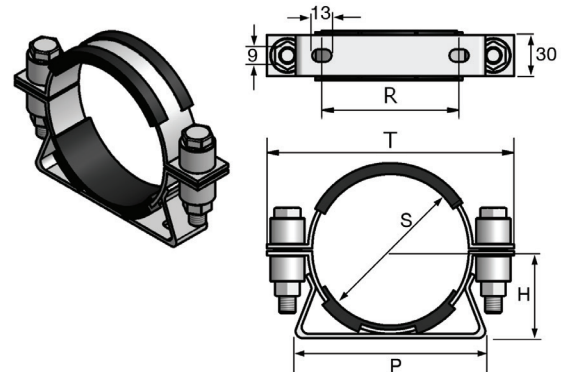
Designed for specific use on accumulator installation, both clamps and brackets are supplied complete with rubber support rings.

Available on request: Out of standard sizes  
Stainless steel



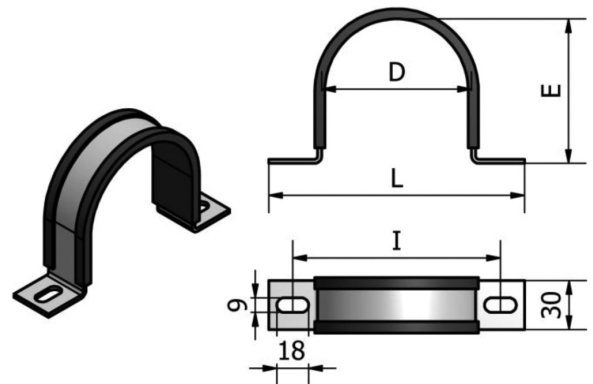
## Clamps – CR Series

Type	S	R	T	H	P	Price
	mm	mm	mm	mm	mm	
CR 114	114÷116	100	180	66	137	<b>PRICE ON REQUEST</b>
CR 168	168÷172	148	230	93	180	
CR 223	216÷225	216	290	126	253	



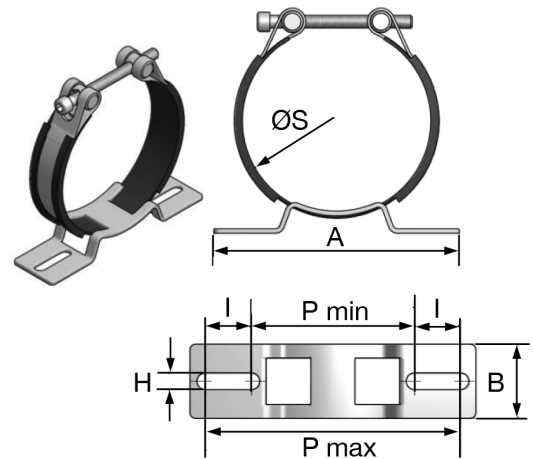
## Clamps – CRE Series

Type	L	I	D	E	Price
	mm	mm	mm	mm	
CRE 70	125	99	70	68	<b>PRICE ON REQUEST</b>
CRE 92	150	125	92	90	
CRE 115	185	160	115	113	
CRE 138	215	190	138	136	



## Clamps – CRO Series

Type	ØS	A	B	H	I	P min	P max	Price
	mm	mm	mm	mm	mm	mm	mm	
CRO 70	68÷73	157	50	9	17	101	135	<b>PRICE ON REQUEST</b>
CRO 92	92÷101	157	50	9	17	101	135	
CRO 114	109÷117	157	50	9	17	101	135	
CRO 125	117÷126	157	50	9	17	101	135	
CRO 168	158÷169	157	50	9	17	101	135	



## Brackets – MCR Series

Type	Price
MCR 168	<b>PRICE ON REQUEST</b>
MCR 223	

Type	A	B	C	D	E	F	G	H	I	L
	mm	mm	mm	mm	mm	mm	mm	mm	mm	mm
MCR 168	200	175	90	40	30	11	140	93	140	120
MCR 223	260	230	120	70	30	16	200	120	200	170

